

ÜRÜN KATALOĐU
TRACTOR
SPARE PARTS



**TRAKTÖR BAĐLANTI
ELEMANI**

TRACTOR FITTINGS



esderen®

OTOMOTİV GİD. SAN. TİC. LTD. ŐTİ.

— TRAKTÖR YEDEK PARĐA İMALATI —

www.esaerenotomotiv.com.tr



HAKKIMIZDA

Konya Anadolu Sanayi Bölgesindeki modern fabrikasında, traktörler için dünya standartlarında yedek parça imalatı yapan Esa Eren Otomotiv, ürünlerini Esa Eren markasıyla pazara arz etmektedir. Profesyonel insan kaynakları üretilen parçaların hassasiyeti konusunda sürekli bir eğitime tabi tutulmaktadır. Esa Eren markası taşıyan her parça uluslar arası standartlara uygunluğun kanıtıdır.

Ürünlerini dünyanın dört bir yanına sunan Esa Eren Otomotiv, yaptığı yeni yatırımlar ile üretim bölümünü güçlendirmiş ve kalite konusunda insan bağımlılığını minimize etmiştir. Sahip olduğu ISO 9001 kalite sistem belgesi ile hammadde girişinden ürün çıkışına kadar her aşama titizlikle kontrol edilmekte, "sıfır hata" prensibi ile üretim yapılmaktadır.

Esa Eren Otomotiv, müşteri talep ve beklentileri doğrultusunda farklı ürünler ortaya koymakta, mevcut ürünleri sektörel gelişime paralel olarak revize etmektedir.

Esa Eren Otomotiv 1975 den bu yana, satış yaptığı her bölgede talep edilen ürünlere sahip olmanın mutluluğunu yaşamaktadır.

Gerek teknolojiye gerekse insan kaynaklarına yaptığı yatırımlar ile sürdürülebilir kaliteyi yakalamış olan Esa Eren Otomotiv, her geçen gün artırdığı üretim kapasitesi ile daha geniş coğrafyada daha fazla ürün ile bir dünya markası olmak adına çalışmalarını sürdürmektedir.

VİZYONUMUZ

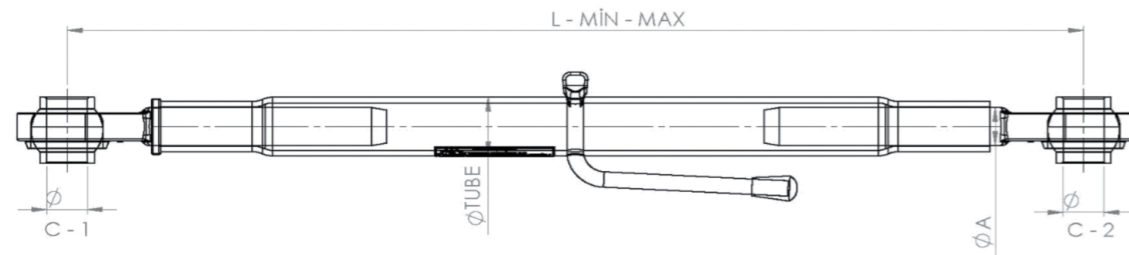
Uzmanlaştığımız her alanda ülkemizde en iyi olmakla kalmayıp uluslararası alanda da sunduğumuz her hizmetin bilimselliği ve kalitesi ile ilklerin içinde ilkeli yer alan, lider olmanın yanı sıra her zaman lider kalmayı başarabilen bir kuruluş olmak.

MİSYONUMUZ

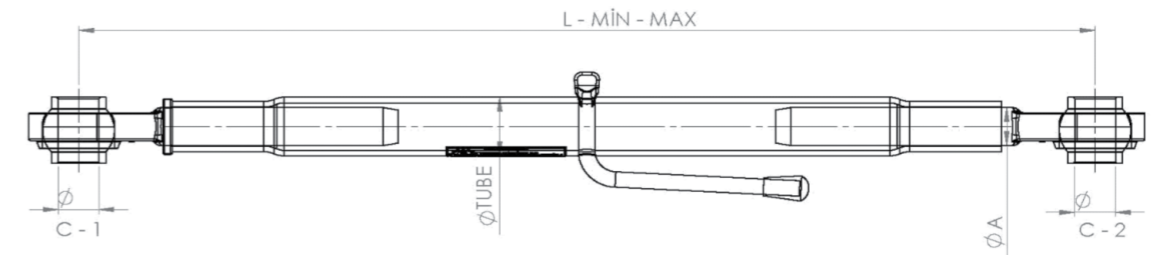
Kaynakları rasyonel olarak kullanmak, kayıpları azaltmak, verimliliği artırmak, maliyetleri düşürmek, müşterilerimize estetiksel ve kaliteli ürünler sunmak, ilkeli, planlı ve sistematik çalışmak, müşteri memnuniyetin her zaman ön planda tutmak.

İÇİNDEKİLER - INGREDIENTS

Orta Kollar - Toplink	04-16
Ayarlı Kollar - Leveling Box	17-28
Sabit Çatallar - Yoke Fork	29-30
Gergi Zincirleri - Stabilizer Chain	31-42
Özel Borulu Gergi - Special Chain	43-44
Yan Kol Başlıkları - Weld On And	45-46
Delikli Demirler - Traction Bar	47
Yan Kollar - Side Arm	48-50
Destek Kitleri - Support Kits	51-52
Pimler - Pins	54-59

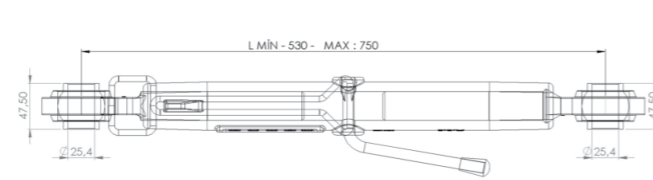


	ESA NO	OEM NO	MODEL	L-MİN	L-MAX	C - 1	C - 2	TUBE	A
	T0101	184134M91	135	590	770	19,5	19,5	42 X 4	M30 X 3,5
	T0103	1869954M91	240	630	810	19,5	19,5	42 X 4	M30 X 3,5
	T0102	894377M91	165	630	810	19,5	25,4	42 X 4	M30 X 3,5
	T0104	1861431M91	285	670	890	25,4	25,4	42 X 4	M30 X 3,5
	T0106		135	590	770	19,5	19,5	48 X 4	KAREDİŞ
	T0108		240	630	810	19,5	19,5	48 X 4	KAREDİŞ
	T0107		165	630	810	19,5	25,4	48 X 4	KAREDİŞ
	T0109		285	670	890	25,4	25,4	48 X 4	KAREDİŞ
	T0105	1690223M91	398	670	890	25,4	25,4	42 X 4	M30 X 3,5
	T0201	579562	480	560	740	19,5	19,5	42 X 4	M30 X 3,5
T0202	596052	640	630	810	19,5	19,5	42 X 4	M30 X 3,5	
T0204		55/46	630	810	19,5	25,4	42 X 4	M30 X 3,5	
T0205	508506	70/56	670	870	19,5	25,4	42 X 4	M30 X 3,5	
T0203		780	600	820	25,4	25,4	48 X 4	M30 X 3,5	
T0206	5143959	80/66	630	830	25,4	25,4	48 X 4	M30 X 3,5	
T0208		480	560	740	19,5	19,5	48 X 4	KAREDİŞ	
T0209		640	630	810	19,5	19,5	48 X 4	KAREDİŞ	
T0211		55/46	630	810	19,5	25,4	48 X 4	KAREDİŞ	
T0212		70/56	670	870	19,5	25,4	48 X 4	KAREDİŞ	
T0210		780	600	820	25,4	25,4	48 X 4	KAREDİŞ	
T0213		80/66	630	830	25,4	25,4	48 X 4	KAREDİŞ	
	T0901	38.61.086	650	590	810	25,4	25,4	48 X 4	M30 X 3,5
	T0201	40.61.036	445	560	740	19,5	19,5	42 x 4	M30 X 3,5

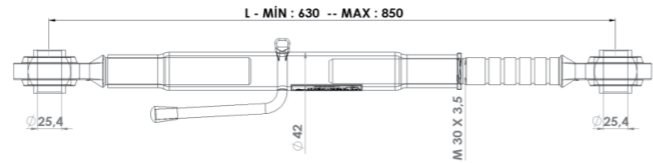
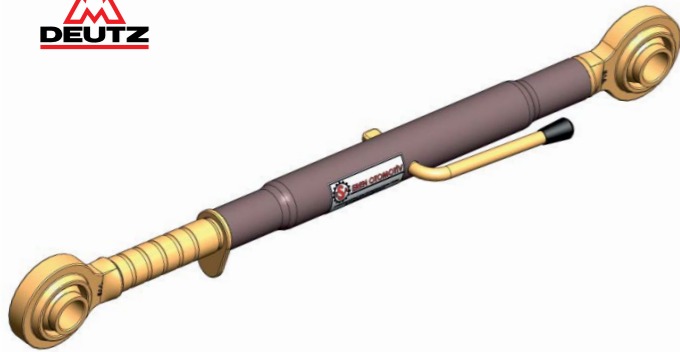


	ESA NO	OEM NO	MODEL	L-MİN	L-MAX	C - 1	C - 2	TUBE	A
	T0301	C5NN576A	3000	550	730	19,5	19,5	42 X 4	M30 X 3,5
	T0302	D0NN576B	3600	630	830	19,5	25,4	42 X 4	M30 X 3,5
	T0303	E6NN576C	5000	590	810	25,4	25,4	48 X 4	M30 X 3,5
	T0304	D0NN576A	6600	670	890	25,4	25,4	48 X 4	M30 X 3,5
	T0305		3000	550	730	19,5	19,5	48 X 4	KAREDİŞ
	T0306		3600	630	830	19,5	25,4	48 X 4	KAREDİŞ
	T0307		5000	590	810	25,4	25,4	48 X 4	KAREDİŞ
	T0308		6600	670	890	25,4	25,4	48 X 4	KAREDİŞ
	T0402		8073	525	745	25,4	25,4	48 X 4	M30 X 3,5
	T0401		768	560	780	25,4	25,4	48 X 4	M30 X 3,5
	T0105		8043	485	700	25,4	25,4	48 X 4	M30 X 3,5
	T0404		8073	525	745	25,4	25,4	48 X 4	KAREDİŞ
	T0403		768	560	780	25,4	25,4	48 X 4	KAREDİŞ
	T0406		8043	485	700	25,4	25,4	48 X 4	KAREDİŞ
	T0501		71/70	560	780	25,4	25,4	48 X 4	M30 X 3,5
	T0502		71/70	560	780	25,4	25,4	48 X 4	KAREDİŞ
ENTER	T1001		444	470	650	19,5	19,5	42 X 4	M30 X 3,5
	T1002		654	470	650	25,4	25,4	48 X 4	M30 X 3,5
EBRO	T1301		650	600	820	25,4	25,4	48 X 4	M30 X 3,5
LEYLAND	T1401		LEYLAND	500	680	19,5	19,5	42 X 4	M30 X 3,5

ÜRÜN KATALOĞU
TRACTOR
SPARE PARTS



ESA NO	OEM NO	MODEL
T0602	DEUTZ	M30 X 3,5



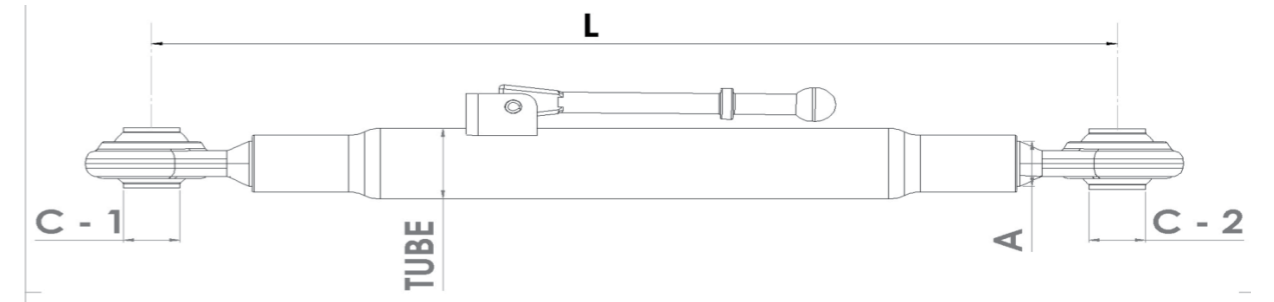
ESA NO	OEM NO	MODEL
T0601	DEUTZ	

MTZ

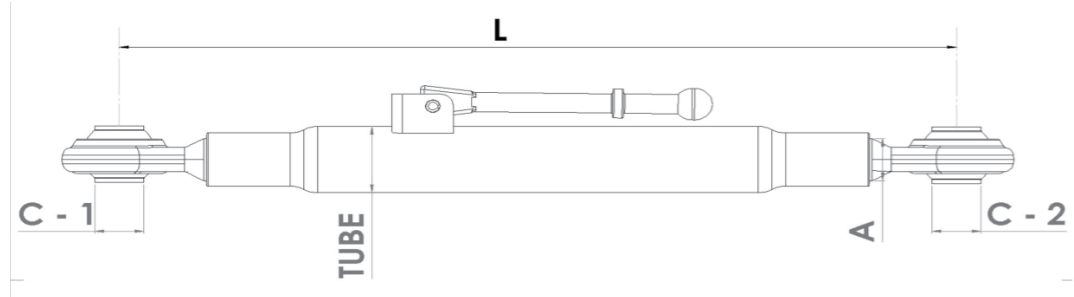


ESA NO	OEM NO	MODEL
T2001	150.56.029-1B	MTZ - T150

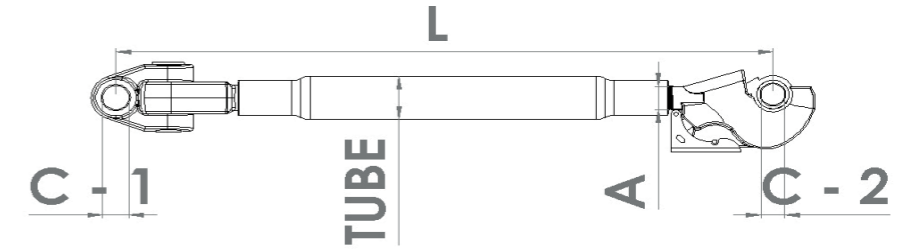
ÜRÜN KATALOĞU
TRACTOR
SPARE PARTS



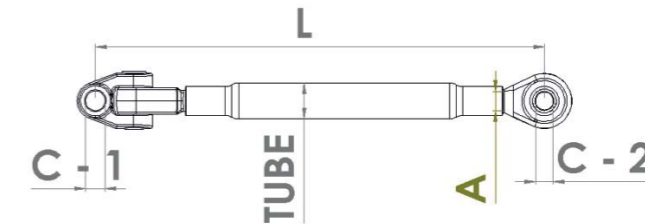
ESA NO	OEM NO	MODEL	L-MİN	L-MAX	C - 1	C - 2	TUBE	A
ST0101	MF	285	590	870	25,5	25,5	55X5,5	M34X3,5
ST0102	MF	398	670	890	25,5	25,5	55X5,5	M34X3,5
ST0103	MF	6445-6460	555	835	25,5	25,5	55X5,5	M34X3,5
ST0201	FIAT	780	600	820	25,5	25,5	55X5,5	M34X3,5
ST0202	FIAT	70/56	670	870	25,5	19,5	55X5,5	M34X3,5
ST0203	FIAT	80/66	630	830	25,5	25,5	55X5,5	M34X3,5
ST0301	FORD	5000	590	810	25,5	25,5	55X5,5	M34X3,5
ST0302	FORD	6600	670	890	25,5	25,5	55X5,5	M34X3,5
ST0601	DEUTZ	77	455	735	25,5	25,5	55X5,5	M34X3,5
ST0602	DEUTZ	90	555	835	25,5	25,5	55X5,5	M34X3,5
ST0603	DEUTZ	100	605	885	25,5	25,5	55X5,5	M34X3,5
ST0401	STEYR	8073	525	745	25,5	25,5	55X5,5	M34X3,5
ST0403	STEYR	768	560	780	25,5	25,5	55X5,5	M34X3,5
ST0801	NEW HOL.	TD-85D	685	965	25,5	25,5	55X5,5	M34X3,5
ST0803	NEW HOL.	TL-90 - 100	585	865	25,5	25,5	55X5,5	M34X3,5
ST0701	J.DEERE	5303	485	765	25,5	25,5	55X5,5	M34X3,5
ST0702	J.DEERE	6220	525	805	25,5	25,5	55X5,5	M34X3,5
ST1101	CLASS	436-RA	555	835	25,5	25,5	55X5,5	M34X3,5
ST1102	CLASS	436-RC	605	885	25,5	25,5	55X5,5	M34X3,5



ESA NO	OEM NO	MODEL	L-MİN	L-MAX	C - 1	C - 2	TUBE	A
HTT0101	MF	285	590	870	25,5	25,5	55X5,5	M34X3,5
HTT0103	MF	398	670	890	25,5	25,5	55X5,5	M34X3,5
HTT0102	MF	6445-6460	555	835	25,5	25,5	55X5,5	M34X3,5
HTT0201	FIAT	780	600	820	25,5	25,5	55X5,5	M34X3,5
HTT0202	FIAT	70/56	670	870	25,5	19,5	55X5,5	M34X3,5
HTT0203	FIAT	80/66	630	830	25,5	25,5	55X5,5	M34X3,5
HTT0301	FORD	5000	590	810	25,5	25,5	55X5,5	M34X3,5
HTT0302	FORD	6600	670	890	25,5	25,5	55X5,5	M34X3,5
HTT0601	DEUTZ	77	455	735	25,5	25,5	55X5,5	M34X3,5
HTT0602	DEUTZ	90	555	835	25,5	25,5	55X5,5	M34X3,5
HTT0603	DEUTZ	100	605	885	25,5	25,5	55X5,5	M34X3,5
HTT0401	STEYR	8073	525	745	25,5	25,5	55X5,5	M34X3,5
HTT0402	STEYR	768	560	780	25,5	25,5	55X5,5	M34X3,5
HTT0801	NEW HOL.	TD-85D	685	965	25,5	25,5	55X5,5	M34X3,5
HTT0802	NEW HOL.	TL-90 - 100	585	865	25,5	25,5	55X5,5	M34X3,5
HTT0701	J.DEERE	5303	485	765	25,5	25,5	55X5,5	M34X3,5
HTT0702	J.DEERE	6220	525	805	25,5	25,5	55X5,5	M34X3,5
HTT1101	CLASS	436-RA	555	835	25,5	25,5	55X5,5	M34X3,5
HTT1102	CLASS	436-RC	605	885	25,5	25,5	55X5,5	M34X3,5



ESA NO	OEM NO	MODEL	L-MİN	L-MAX	C - 1	C - 2	TUBE	A
HTT2001			670	890	25,5	25,5	55X5,5	M34X3,5
HTT2002			670	890	28	25,5	55X5,5	M34X3,5
HTT2003			670	890	32	32	55X5,5	M34X3,5
HTT2004			720	940	25,5	25,5	55X5,5	M34X3,5
HTT2005			720	940	28	25,5	55X5,5	M34X3,5
HTT2006			720	940	32	32	55X5,5	M34X3,5



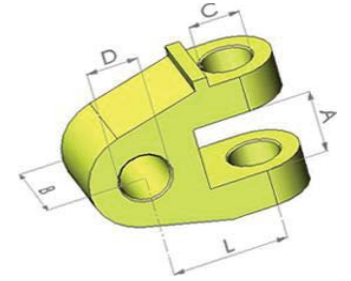
ESA NO	OEM NO	MODEL	L-MİN	L-MAX	C - 1	C - 2	TUBE	A
HTT3001			670	890	25,5	25,5	55X5,5	M34X3,5
HTT3002			670	890	28	25,5	55X5,5	M34X3,5
HTT3003			670	890	32	32	55X5,5	M34X3,5
HTT3004			720	940	25,5	25,5	55X5,5	M34X3,5
HTT3005			720	940	28	25,5	55X5,5	M34X3,5
HTT3006			720	940	32	32	55X5,5	M34X3,5





ESA NO	L	TUBE	SHAFT	C - 1	C - 1
HT0001-2199	50 CM	60 X 70	35 MM	25,5	25,5
HT0001-2200	55 CM	60 X 70	35 MM	25,5	25,5
HT0001-2201	60 CM	60 X 70	35 MM	25,5	25,5
HT0001-2202	65 CM	60 X 70	35 MM	25,5	25,5
HT0001-2222	68 CM	60 X 70	35 MM	25,5	25,5
HT0001-2203	70 CM	60 X 70	35 MM	25,5	25,5



ESA NO		L	TUBE	SHATF	C - 1	C - 2
HT0001-2264	CAT-3	50 CM	90 X 100	45 MM	32	28
HT0001-2265	CAT-3	55 CM	90 X 100	45 MM	32	28
HT0001-2261	CAT-3	60 CM	90 X 100	45 MM	32	28
HT0001-2266	CAT-2	50 CM	63 X 73	40 MM	25,5	28
HT0001-2267	CAT-2	55 CM	63 X 73	40 MM	25,5	28
HT0001-2268	CAT-2	60 CM	63 X 73	40 MM	25,5	28



ESA NO	PHOTO	D	A	B	L (mm)	c
M0101		25	29	50	60	25
M0102		25	40	50	60	28
M0103		28	4	50	60	28
M0104		28	40	65	60	28
M0105		32	40	50	60	28
M0106		32	45	50	60	28
M0107		35	40	50	60	28
M0108		35	45	50	60	28
M0109		37	40	50	60	28
M0110		37	45	50	60	28

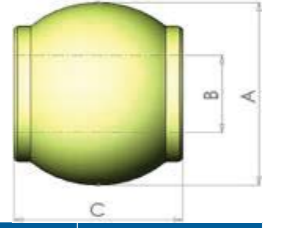
ESA NO	PHOTO	CAT.
K0301		2
K0302		3
























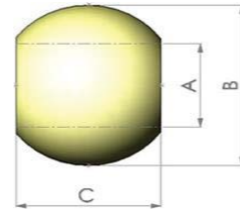
ESA NO	L	C	H
K0101	225	19,5	M27X3
K0102	225	25,5	M27X3
K0103	225	19,5	M30X3,5
K0104	225	25,5	M30X3,5
K0105	225	28	M34X3,5
K0106	225	32	M34X3,5



ESA NO	CAT
K0201	2
K0202	3









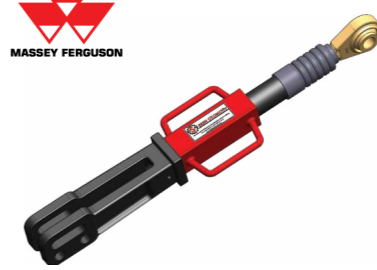

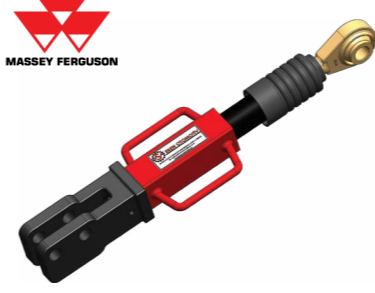

ESA NO	PHOTO	A	B	C
A0101		50	25	50
A0102		50	28	50
A0103		60	25	50
A0104		60	25	44
A0105		60	28	50
A0106		60	28	44
A0107		60	28	50
A0108		60	30	50
A0109		60	30	50
A0110		60	32	50
A0111		60	32	50
A0112		60	35	50
A0113		60	35	50
A0114		77	25	75
A0115		77	28	75
A0116		77	30	75
A0117		77	32	75
A0118		77	32	62
A0119		77	35	75
A0120		77	37	75
A0121		77	45	75



ESA NO	PHOTO	CAT.	A	B	C
A0122		1	20	44	35
A0123		1	22	44	35
A0124		1	25	44	35
A0125		2	22	56	45
A0126		2	25	56	45
A0127		2	25	56	35
A0128		2	28	56	45
A0129		2	28	57	45
A0130		2	28	56	66
A0131		2	30	56	45
A0132		2	32	56	43
A0133		2	32	56	43
A0134		2	35	56	37
A0135		2	36	56	37

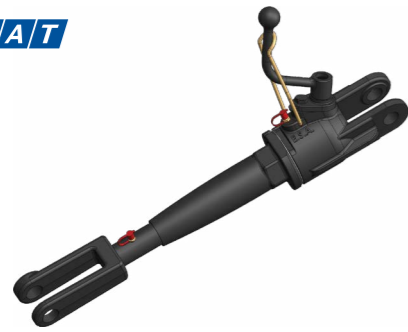
ESA NO	PHOTO	CAT.	A	B	C
A0136		2	37	56	37
A0137		2	37	56	37
A0138		3	25	64	45
A0139		3	28	64	45
A0140		3	28	64	72
A0141		3	28	64	45
A0142		3	30	64	45
A0143		3	30	64	45
A0144		3	32	64	45
A0145		3	32	64	45
A0146		3	35	64	45
A0147		3	35	64	45
A0148		3	36	64	45
A0149		3	36	64	45
A0150		3	36,8	64	45
A0151		3	37	64	45
A0152		3	37	64	45
A0153		3	37	64	72

ESA NO	OEM NO	CAT	A	B	C
A0154		3	38	64	45
A0155		3	38	64	45
A0156		3	40	64	45
A0157		3	40	64	45
A0158		3	42	64	45
A0159		3	42	64	45
A0160		4	28	85	57
A0161		4	30	85	57
A0162		4	32	85	57
A0163		4	35	85	57
A0164		4	36	85	57
A0165		4	37	85	57
A0166		4	38	85	57
A0167		4	40	85	57
A0168		4	42	85	57
A0169		4	45	85	57
A0170		4	51	85	57

																				
<table border="1"> <thead> <tr> <th>ESA NO</th> <th>OEM</th> <th>MODEL</th> </tr> </thead> <tbody> <tr> <td>LB0101</td> <td>1884342M92</td> <td>135-240</td> </tr> </tbody> </table>	ESA NO	OEM	MODEL	LB0101	1884342M92	135-240	<table border="1"> <thead> <tr> <th>ESA NO</th> <th>OEM</th> <th>MODEL</th> </tr> </thead> <tbody> <tr> <td>LB0102</td> <td>893570M92</td> <td>165</td> </tr> </tbody> </table>	ESA NO	OEM	MODEL	LB0102	893570M92	165							
ESA NO	OEM	MODEL																		
LB0101	1884342M92	135-240																		
ESA NO	OEM	MODEL																		
LB0102	893570M92	165																		
																				
<table border="1"> <thead> <tr> <th>ESA NO</th> <th>OEM</th> <th>MODEL</th> </tr> </thead> <tbody> <tr> <td>LB0103</td> <td>1863053M94</td> <td>275-285</td> </tr> </tbody> </table>	ESA NO	OEM	MODEL	LB0103	1863053M94	275-285	<table border="1"> <thead> <tr> <th>ESA NO</th> <th>OEM</th> <th>MODEL</th> </tr> </thead> <tbody> <tr> <td>LB0104</td> <td>1663053M94</td> <td>398</td> </tr> </tbody> </table>	ESA NO	OEM	MODEL	LB0104	1663053M94	398	<table border="1"> <thead> <tr> <th>ESA NO</th> <th>OEM</th> <th>MODEL</th> </tr> </thead> <tbody> <tr> <td>LB0109</td> <td>3798046M91</td> <td>5400 seri</td> </tr> </tbody> </table>	ESA NO	OEM	MODEL	LB0109	3798046M91	5400 seri
ESA NO	OEM	MODEL																		
LB0103	1863053M94	275-285																		
ESA NO	OEM	MODEL																		
LB0104	1663053M94	398																		
ESA NO	OEM	MODEL																		
LB0109	3798046M91	5400 seri																		
																				
<table border="1"> <thead> <tr> <th>ESA NO</th> <th>OEM</th> <th>MODEL</th> </tr> </thead> <tbody> <tr> <td>LB0108</td> <td>380829M1</td> <td>3075 SERIES</td> </tr> </tbody> </table>	ESA NO	OEM	MODEL	LB0108	380829M1	3075 SERIES	<table border="1"> <thead> <tr> <th>ESA NO</th> <th>OEM</th> <th>MODEL</th> </tr> </thead> <tbody> <tr> <td>LB0107</td> <td></td> <td>275-285</td> </tr> </tbody> </table>	ESA NO	OEM	MODEL	LB0107		275-285	<table border="1"> <thead> <tr> <th>ESA NO</th> <th>OEM</th> <th>MODEL</th> </tr> </thead> <tbody> <tr> <td>OSP0104</td> <td>1884376M1</td> <td>135-240</td> </tr> </tbody> </table>	ESA NO	OEM	MODEL	OSP0104	1884376M1	135-240
ESA NO	OEM	MODEL																		
LB0108	380829M1	3075 SERIES																		
ESA NO	OEM	MODEL																		
LB0107		275-285																		
ESA NO	OEM	MODEL																		
OSP0104	1884376M1	135-240																		
																				
<table border="1"> <thead> <tr> <th>ESA NO</th> <th>OEM</th> <th>MODEL</th> </tr> </thead> <tbody> <tr> <td>LB0106</td> <td></td> <td>165</td> </tr> </tbody> </table>	ESA NO	OEM	MODEL	LB0106		165	<table border="1"> <thead> <tr> <th>ESA NO</th> <th>OEM</th> <th>MODEL</th> </tr> </thead> <tbody> <tr> <td>LB0105</td> <td></td> <td>135-24</td> </tr> </tbody> </table>	ESA NO	OEM	MODEL	LB0105		135-24	<table border="1"> <thead> <tr> <th>ESA NO</th> <th>OEM</th> <th>MODEL</th> </tr> </thead> <tbody> <tr> <td>OSP0105</td> <td>897653M2</td> <td>165-285</td> </tr> </tbody> </table>	ESA NO	OEM	MODEL	OSP0105	897653M2	165-285
ESA NO	OEM	MODEL																		
LB0106		165																		
ESA NO	OEM	MODEL																		
LB0105		135-24																		
ESA NO	OEM	MODEL																		
OSP0105	897653M2	165-285																		

ÜRÜN KATALOĞU
TRACTOR
SPARE PARTS

AYARLI KOLLAR - LEVELLING BOX

FIAT

ESA NO	OEM NO	MODEL
LB0201	4982390	480

FIAT

ESA NO	OEM NO	MODEL
LB0202	4999165	640

FIAT

ESA NO	OEM NO	MODEL
LB0203	5086371	70/56

FIAT

ESA NO	OEM NO	MODEL
LB0206	5119731	780-80/66

FIAT

ESA NO	OEM	MODEL
LB0204		480

FIAT

ESA NO	OEM NO	MODEL
LB0205		640

FIAT

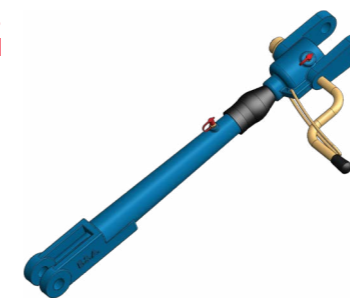
ESA NO	OEM NO	MODEL
LB0205		70/56

FIAT

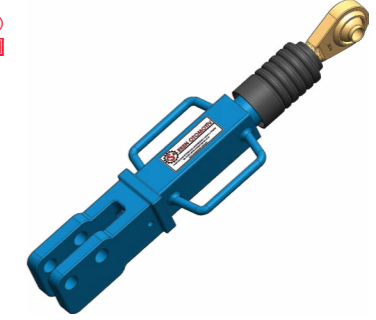
ESA NO	OEM NO	MODEL
LB0207	47133994	G170

ÜRÜN KATALOĞU
TRACTOR
SPARE PARTS

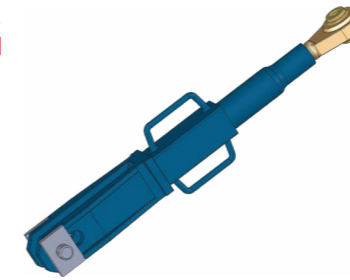
AYARLI KOLLAR - LEVELLING BOX

Ford
TRACTOR

ESA NO	OEM NO	MODEL
LB0101	E0NN569AA	3000

Ford
TRACTOR

ESA NO	OEM NO	MODEL
LB0105		3000

Ford
TRACTOR

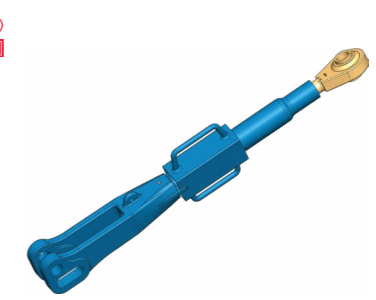
ESA NO	OEM NO	MODEL
LB0303	D2NNN983A	5000-6600

Ford
TRACTOR

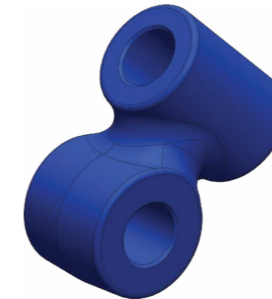
ESA NO	OEM NO	MODEL
LB0304	82001736	6640-7740

Ford
TRACTOR

ESA NO	OEM NO	MODEL
LB0305	C5NN569AM-AH	4000

Ford
TRACTOR

ESA NO	OEM NO	MODEL
LB0306	E0NN569KB	6610-7610

Ford
TRACTOR

ESA NO	OEM NO	MODEL
OSP0302	C7NN9929A	5000-6600

Ford
TRACTOR

ESA NO	OEM NO	MODEL
OSP0104	957E566	3000

ÜRÜN KATALOĞU
TRACTOR
SPARE PARTS



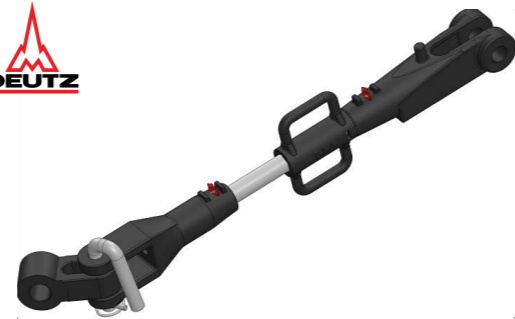
ESA NO	OEM NO	MODEL
LB0601	4314513	DEUTZ



ESA NO	OEM NO	MODEL
LB0602	04419332	AGROTRON



ESA NO	OEM NO	MODEL
OSP0601	4314509	DEUTZ



ESA NO	OEM NO	MODEL
LB0603	04341296 - 71804006	DEUTZ



ESA NO	OEM NO	MODEL
LB0901	38.61.012	650



ESA NO	OEM NO	MODEL
LB0902	38.61.012	650

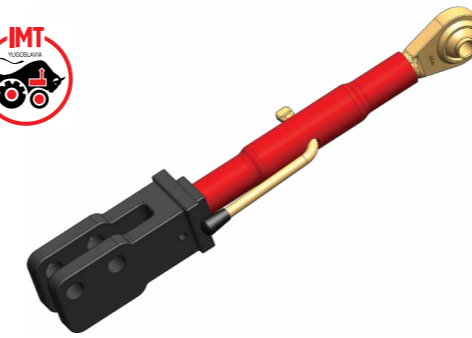


ESA NO	OEM NO	MODEL
LB0201	40.61.018	445



ESA NO	OEM NO	MODEL
LB0204	40.61.018	445

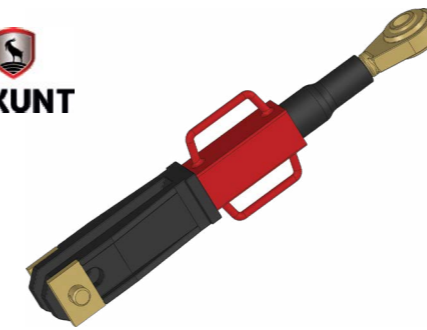
ÜRÜN KATALOĞU
TRACTOR
SPARE PARTS



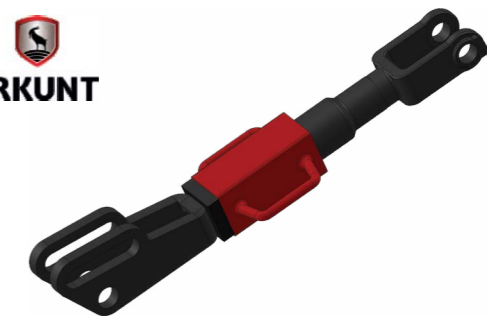
ESA NO	OEM NO	MODEL
LB1201		IMT



ESA NO	OEM NO	MODEL
LB0501		71/70



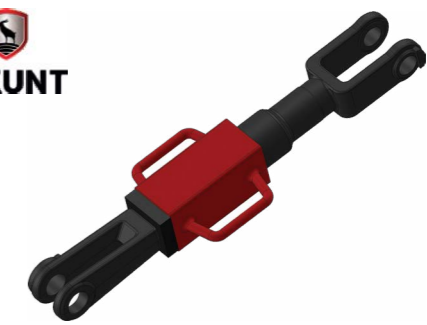
ESA NO	OEM NO	MODEL
LB1301		110 HAŞMET



ESA NO	OEM NO	MODEL
LB1303		90 -E KIYMET



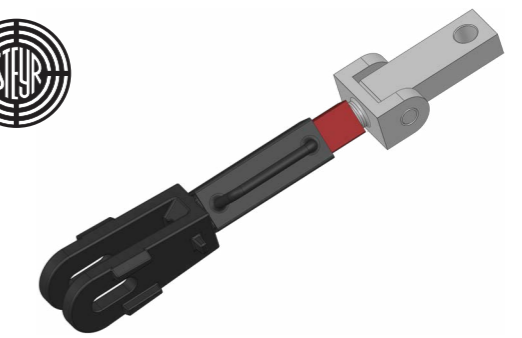
ESA NO	OEM NO	MODEL
LB1302	1	70-80-90-105



ESA NO	OEM NO	MODEL
LB1304		58 - KISMET



ESA NO	OEM NO	MODEL
LB0401	295740501	768-8073



ESA NO	OEM NO	MODEL
LB0402	295740501	768-8073

ÜRÜN KATALOĞU
TRACTOR
SPARE PARTS

AYARLI KOLLAR - LEVELLING BOX

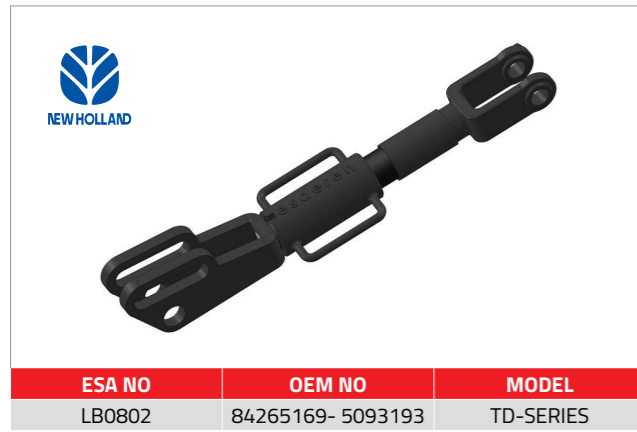
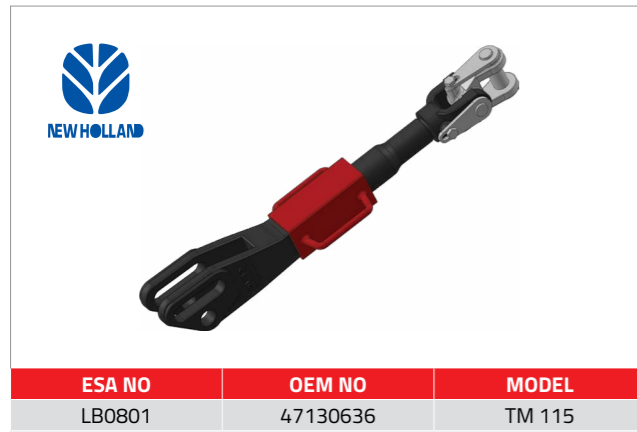
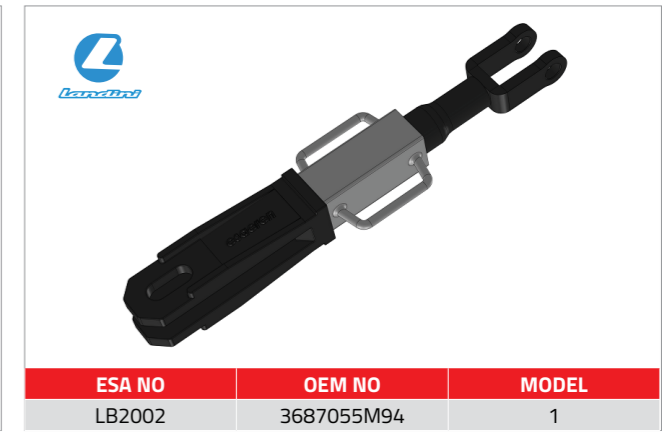
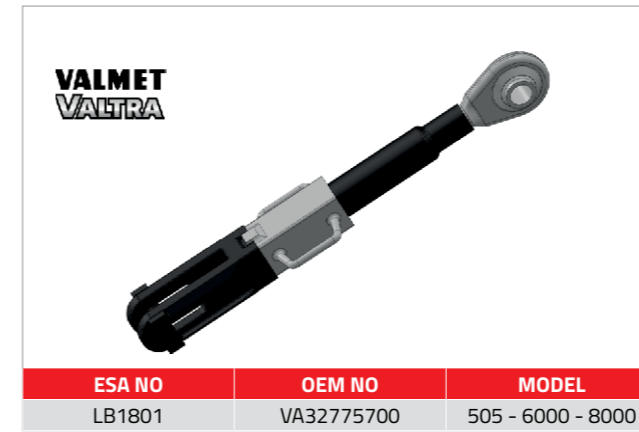


PHOTO	OEM NO	ÖLÇÜ	TRAKTÖR
	9971769 - 5194810 - 9970265	22 X 69	NEW HOLLAND - FIAT
	5191222	25 X 80	NEW HOLLAND - FIAT
	9971768 - 5194812	22 MM	NEW HOLLAND - FIAT
	5191223	25 MM	NEW HOLLAND - FIAT

ÜRÜN KATALOĞU
TRACTOR
SPARE PARTS

AYARLI KOLLAR - LEVELLING BOX



ÜRÜN KATALOĞU
TRACTOR
SPARE PARTS

CASE II
AGRICULTURE



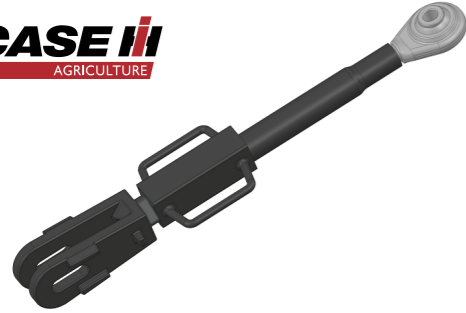
ESA NO	OEM NO	MODEL
LB1601	47130636	MXM - PUMA

CASE II
AGRICULTURE



ESA NO	OEM NO	MODEL
LB1606	3148914R91	55 SERİSİ

CASE II
AGRICULTURE



ESA NO	OEM NO	MODEL
LB1607	224250A2	C50 - C90

CASE II
AGRICULTURE



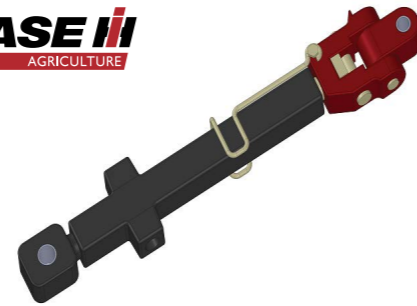
ESA NO	OEM NO	MODEL
LB1608	04411286	C100

CASE II
AGRICULTURE



ESA NO	OEM NO	MODEL
LB1603	132574090	CS- CVX

CASE II
AGRICULTURE



ESA NO	OEM NO	MODEL
LB1604	1272944C2	7000 SERİ

CASE II
AGRICULTURE



ESA NO	OEM NO	MODEL
LB1602	197192A1 - 248785A4	MX80-M135

CASE II
AGRICULTURE



ESA NO	OEM NO	MODEL
LB1609	47133831	MXU SERİ

ÜRÜN KATALOĞU
TRACTOR
SPARE PARTS



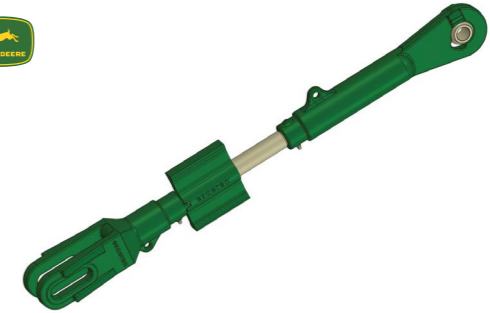
ESA NO	OEM NO	MODEL
LB0701	RE45632	5000



ESA NO	OEM NO	MODEL
LB0702	RE245477	5000 M SERİ



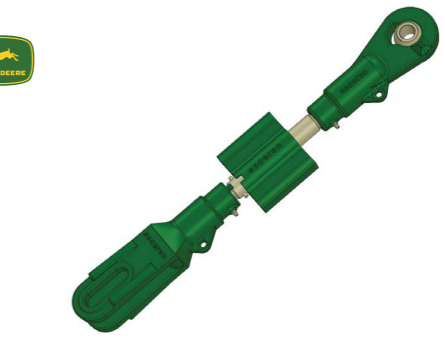
ESA NO	OEM NO	MODEL
LB0703	AL200842	6010-6410



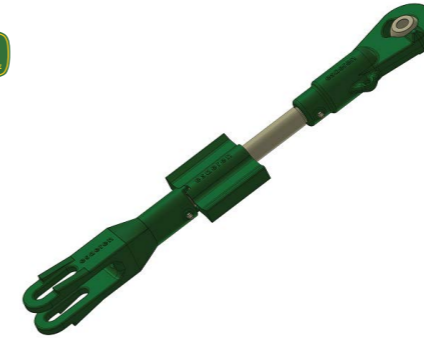
ESA NO	OEM NO	MODEL
LB0704	AL218721	6800-6900



ESA NO	OEM NO	MODEL
LB0705	AL200844	6M - 6R- 7030



ESA NO	OEM NO	MODEL
LB0706	AL201574	6000 SERİ



ESA NO	OEM NO	MODEL
LB0707	RE206268	5020 - 600D



ESA NO	OEM NO	MODEL
LB0708	AR44552	1020-1030-1040

ÜRÜN KATALOĞU
TRACTOR
SPARE PARTS



ESA NO	OEM NO	MODEL
EXP9194	RE244575	7000-8000



ESA NO	OEM NO	MODEL
EXP9195	L200748	



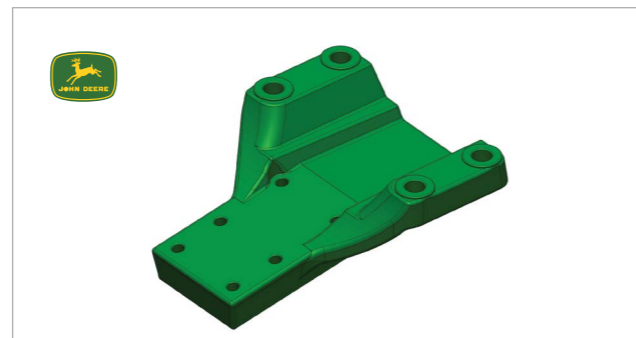
ESA NO	OEM NO	MODEL
EXP9196	L156832	



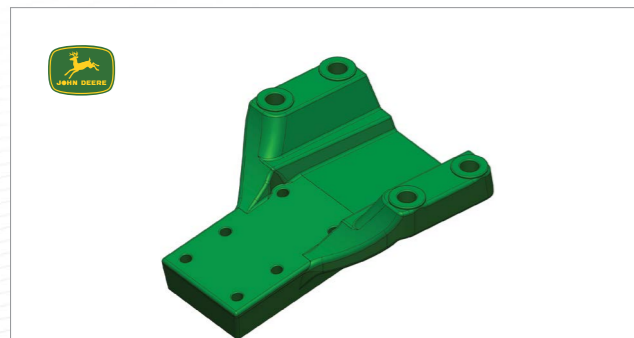
ESA NO	OEM NO	MODEL
EXP9197	AL170130	



ESA NO	OEM NO	MODEL
EXP9198	L200755	-



ESA NO	OEM NO	MODEL
EXP9199	L114706	-



ESA NO	OEM NO	MODEL
EXP9114	L216249	-

ÜRÜN KATALOĞU
TRACTOR
SPARE PARTS



ESA NO	OEM NO
EXP9200	L78938



ESA NO	OEM NO
EXP9201	LY114631-LY9062-L201655



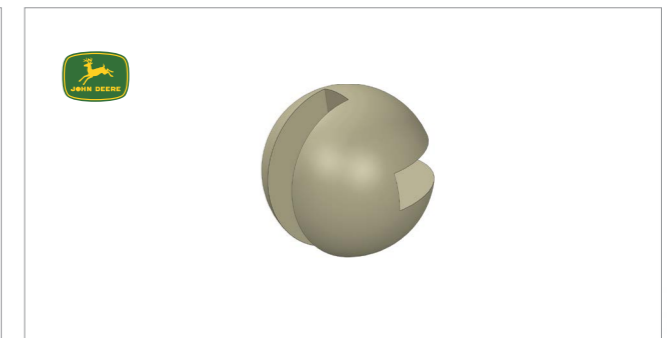
ESA NO	OEM NO
EXP9202	R107278



ESA NO	OEM NO
EXP9203	R108211



ESA NO	OEM NO
EXP9204	T21901



ESA NO	OEM NO
EXP9205	T22399






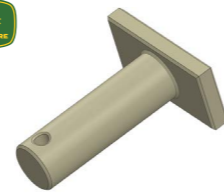



















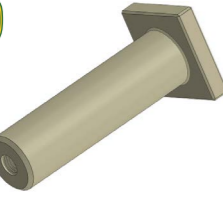




ESA NO	OEM NO
EXP9206	R96314



ESA NO	OEM NO
EXP9207	L205623

ÜRÜN KATALOĞU
TRACTOR
SPARE PARTS

					
ESA NO EXP9208	OEM NO AT21754	ESA NO EXP9209	OEM NO CE15329	ESA NO EXP9210	OEM NO ER040568
					
ESA NO EXP9211	OEM NO L79924	ESA NO EXP9212	OEM NO L79925	ESA NO EXP9213	OEM NO L113797
					
ESA NO EXP9214	OEM NO L158185	ESA NO EXP9215	OEM NO L158186-AL78854	ESA NO EXP9216	OEM NO R63737
					
ESA NO EXP9217	OEM NO R65239	ESA NO EXP9218	OEM NO R69166	ESA NO EXP9219	OEM NO R169163
					
ESA NO EXP9220	OEM NO R208665	ESA NO EXP9221	OEM NO T22714-CE15531		

ÜRÜN KATALOĞU
TRACTOR
SPARE PARTS

					
ESA NO YF0110	OEM NO 1660372M91	MODEL 135-240	ESA NO YF0111	OEM NO 893405M3	MODEL 165
					
ESA NO YF0112	OEM NO 1861392M3	MODEL 285	ESA NO YF0113	OEM NO 1686743M91	MODEL 398
					
ESA NO YF0204	OEM NO 568726	MODEL 480	ESA NO YF0205	OEM NO 4982245	MODEL 640
					
ESA NO YF0207	OEM NO 5119733	MODEL 780-980	ESA NO YF0208	OEM NO 5123277	MODEL 110-90
			ESA NO YF0209	OEM NO 5119729	MODEL 80/66



ESA NO	OEM NO	MODEL
YF0110	C5NN596AN	3000



ESA NO	OEM NO	MODEL
YF0301	C5NNB863C	5000



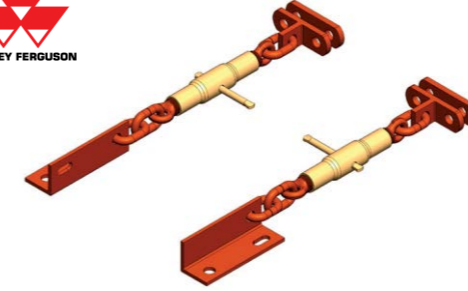
ESA NO	OEM NO	MODEL
YF0302	82001371	6640-7740



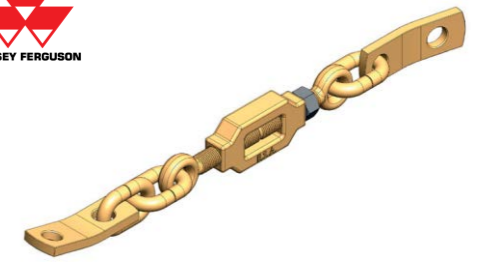
ESA NO	OEM NO	MODEL
YF0304	C5NN5640	4000



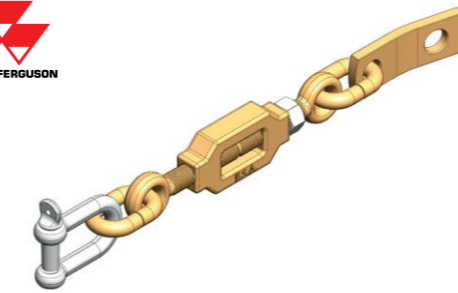
ESA NO	OEM NO	MODEL
YF0501		71/70



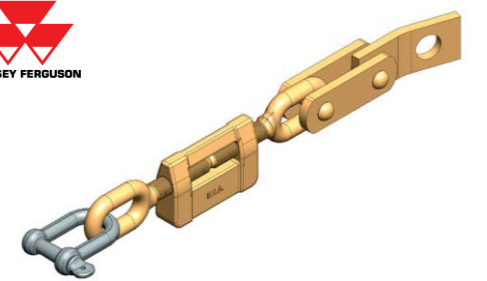
ESA NO	OEM NO	MODEL
SC0101	184585M91	135



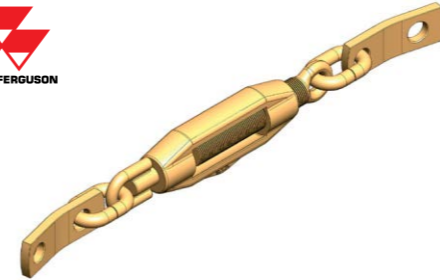
ESA NO	OEM NO	MODEL
SC0111	1863260M93	240



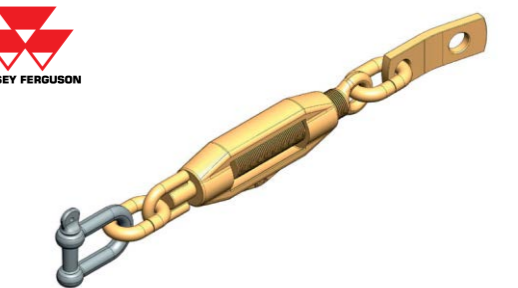
ESA NO	OEM NO	MODEL
SC0112	1661406M91	285



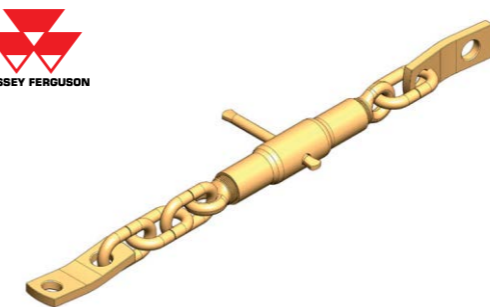
ESA NO	OEM NO	MODEL
SC0113	18693332m91	398



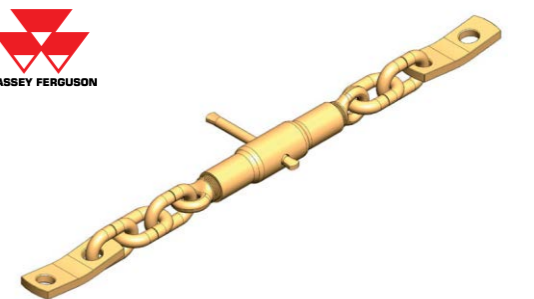
ESA NO	OEM NO	MODEL
SC0114	THICK SCREW	240



ESA NO	OEM NO	MODEL
SC0115	THICK SCREW	285



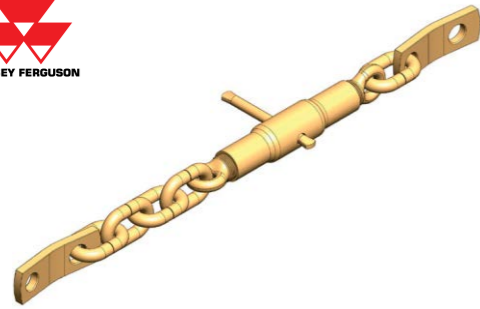
ESA NO	OEM NO	MODEL
SC0120		3 + 1



ESA NO	OEM NO	MODEL
SC0105		3 + 2



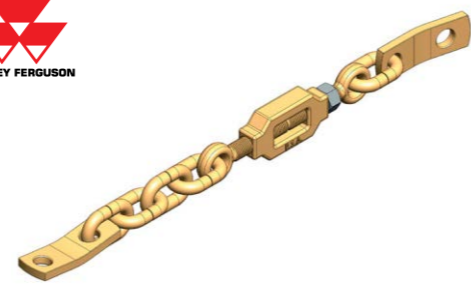
MASSEY FERGUSON



ESA NO	OEM NO	MODEL
SC102		4+1



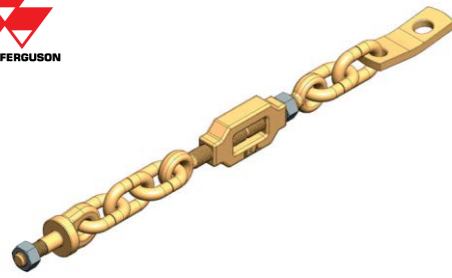
MASSEY FERGUSON



ESA NO	OEM NO	MODEL
SC106		4+1



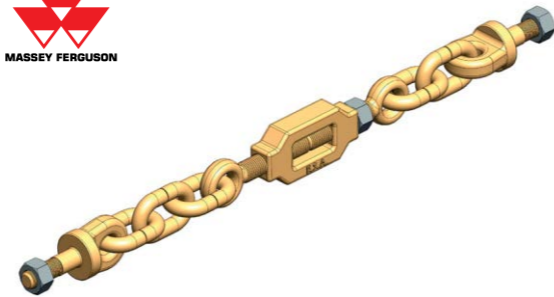
MASSEY FERGUSON



ESA NO	OEM NO	MODEL
SC110		3+2



MASSEY FERGUSON



ESA NO	OEM NO	MODEL
SC0109		3+2



MASSEY FERGUSON



ESA NO	OEM NO	MODEL
SC0122	184377M1	285



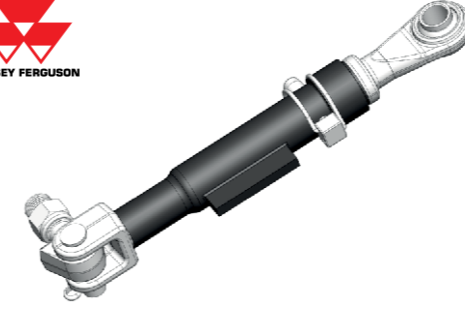
MASSEY FERGUSON



ESA NO	OEM NO	MODEL
SC0123	893410M1	240



MASSEY FERGUSON



ESA NO	OEM NO	MODEL
SC0116		240-266



MASSEY FERGUSON



ESA NO	OEM NO	MODEL
SC0117		276-286



MASSEY FERGUSON



ESA NO	OEM NO	MODEL
SC0118		3075-3085-3095-3105



MASSEY FERGUSON



ESA NO	OEM NO	MODEL
SC0121		3105



MASSEY FERGUSON



ESA NO	OEM NO	MODEL
SC0124	4305982M91	5400-5600 SERIES



MASSEY FERGUSON



ESA NO	OEM NO	MODEL
SC0125	3794474M91	AUTOMATIC



MASSEY FERGUSON



ESA NO	OEM NO	MODEL
SC0126	3532084M92	353-383-384-393HG397



MASSEY FERGUSON



ESA NO	OEM NO	MODEL
SC0125-1	3794474M91	MECHANIC

ÜRÜN KATALOĞU
TRACTOR
SPARE PARTS



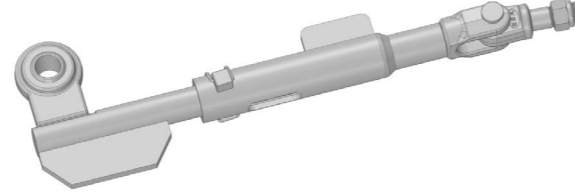
ESA NO	OEM NO	MODEL
SC0127	3819481M91	4200-4300



ESA NO	OEM NO	MODEL
SC1401	7700018995	



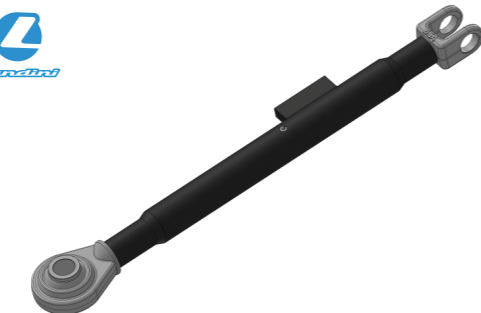
ESA NO	OEM NO	MODEL
SC1402	7700018996	



ESA NO	OEM NO	MODEL
SC1801		



ESA NO	OEM NO	MODEL
SC1201	3654472M9	MAYTHOS



ESA NO	OEM NO	MODEL
SC1202	3304616M91	AUTOMATIC



ESA NO	OEM NO	MODEL
SC1302	106252	65 - 90



ESA NO	OEM NO	MODEL
SC1301	106825	100-110

ÜRÜN KATALOĞU
TRACTOR
SPARE PARTS



ESA NO	OEM NO	MODEL
SC0201	5085190	480



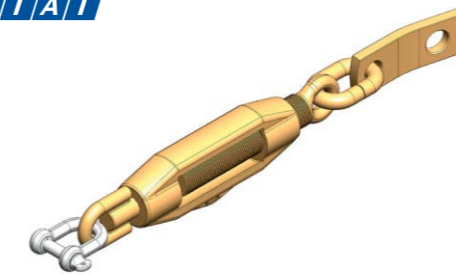
ESA NO	OEM NO	MODEL
SC0202	5104708	640



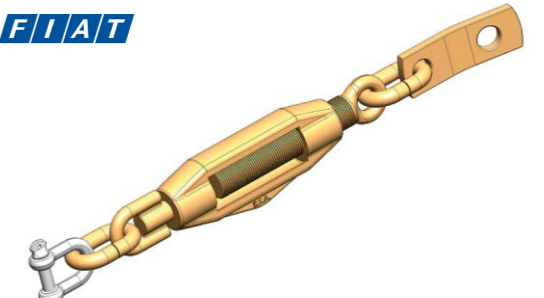
ESA NO	OEM NO	MODEL
SC0203		5546



ESA NO	OEM NO	MODEL
SC0204	49888446	70/56



ESA NO	OEM NO	MODEL
SC0205		480



ESA NO	OEM NO	MODEL
SC0206		640



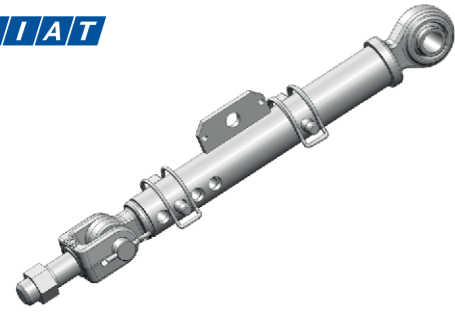
ESA NO	OEM NO	MODEL
SC0207		55/46



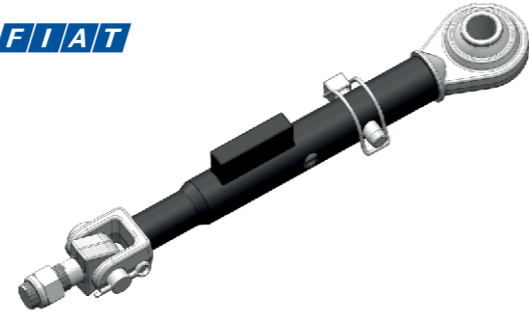
ESA NO	OEM NO	MODEL
SC0208		70/56

ÜRÜN KATALOĞU
TRACTOR
SPARE PARTS

TELESKOPIK GERGİLER - TELESCOPIC CHAIN

FIAT

ESA NO	OEM NO	MODEL
SC0213	5197574	65-46

FIAT

ESA NO	OEM NO	MODEL
SC0214	5197252	G170

FIAT

ESA NO	OEM NO	MODEL
SC0209	5123273	780

FIAT

ESA NO	OEM NO	MODEL
SC0215		80/66

FIAT

ESA NO	OEM NO	MODEL
SC0216	5109518	115-90

FIAT

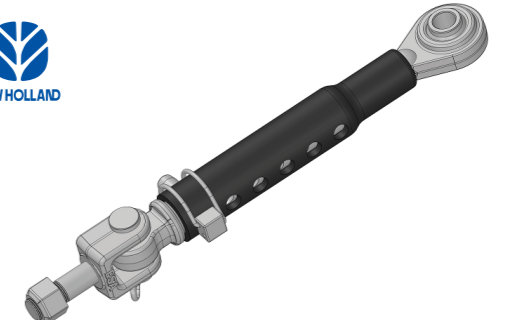
ESA NO	OEM NO	MODEL
SC0217	44908508	65-66-76

ÜRÜN KATALOĞU
TRACTOR
SPARE PARTS

TELESKOPIK GERGİLER - TELESCOPIC CHAIN

NEW HOLLAND

ESA NO	OEM NO	MODEL
SC0808	132574306	T7510

NEW HOLLAND

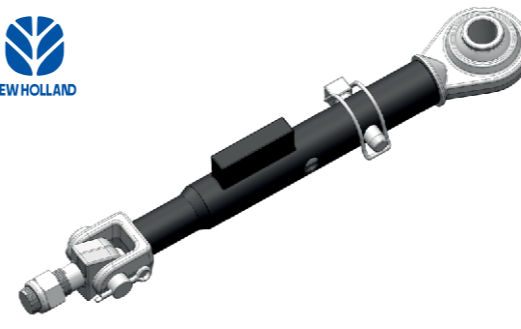
ESA NO	OEM NO	MODEL
SC0809	5199353	T4.100 LP

NEW HOLLAND

ESA NO	OEM NO	MODEL
SC0805	5195224	T4-5-6

NEW HOLLAND

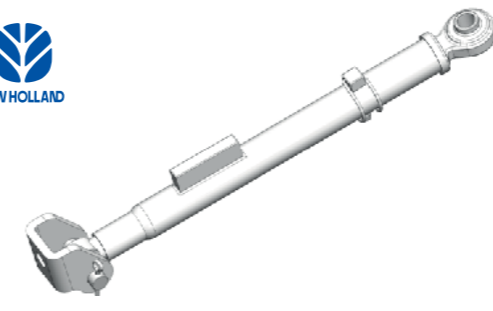
ESA NO	OEM NO	MODEL
SC0802	47123374	TD-TL-TLA

NEW HOLLAND

ESA NO	OEM NO	MODEL
SC0803	5197252	T7 - TM

NEW HOLLAND

ESA NO	OEM NO	MODEL
SC0804	47133794	T6000

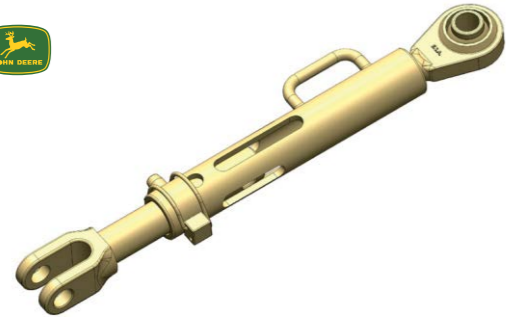
NEW HOLLAND

ESA NO	OEM NO	MODEL
SC0806	82014253	TS100

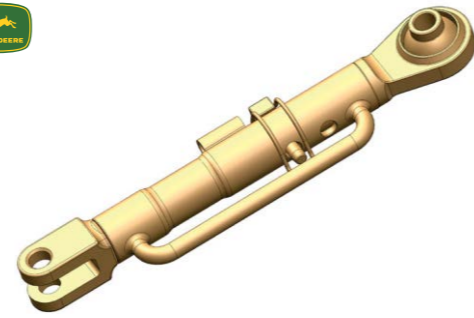
NEW HOLLAND

ESA NO	OEM NO	MODEL
SC0807	82018406	TS100

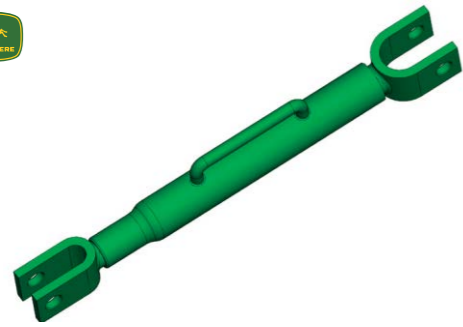
ÜRÜN KATALOĞU
TRACTOR
SPARE PARTS



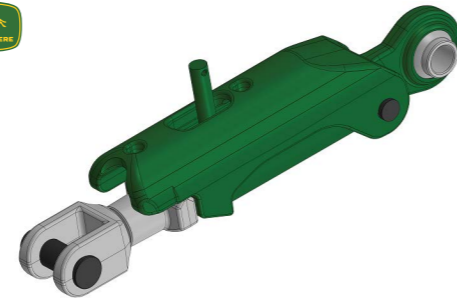
ESA NO	OEM NO	MODEL
SC0704	RE242457	5000 SERİ



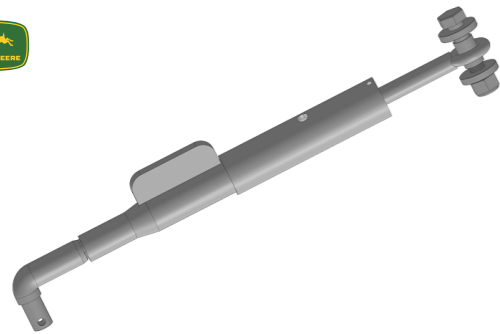
ESA NO	OEM NO	MODEL
SC0705	AL117961	6000 SERİ



ESA NO	OEM NO	MODEL
SC0706	DE13292	3120



ESA NO	OEM NO	MODEL
SC0708	RE559338	8000 SERİ



ESA NO	OEM NO	MODEL
SC0707	AL179395	

ÜRÜN KATALOĞU
TRACTOR
SPARE PARTS



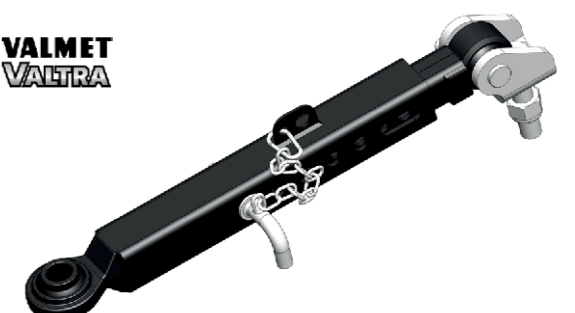
ESA NO	OEM NO	MODEL
SC0602		DEUTZ



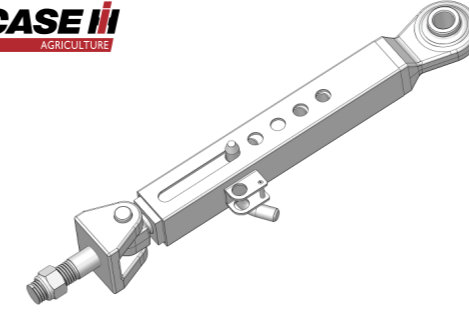
ESA NO	OEM NO	MODEL
SC0601		DEUTZ



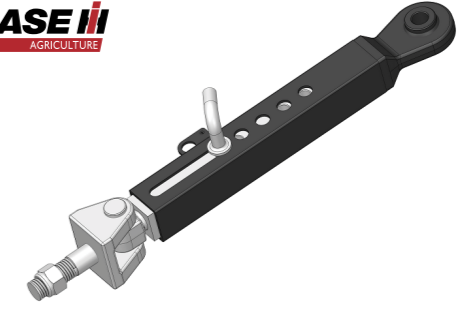
ESA NO	OEM NO	MODEL
FS0601	V57119110	T-SERIES



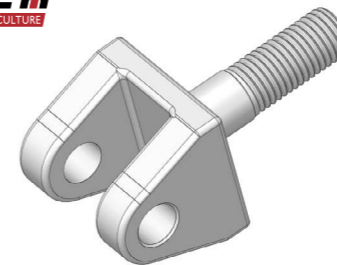
ESA NO	OEM NO	MODEL
FS0602	—	—



ESA NO	OEM NO	MODEL
SC1801	310208A2	5120 - MX100



ESA NO	OEM NO	MODEL
SC1802	178704A3	MX150 - MX180

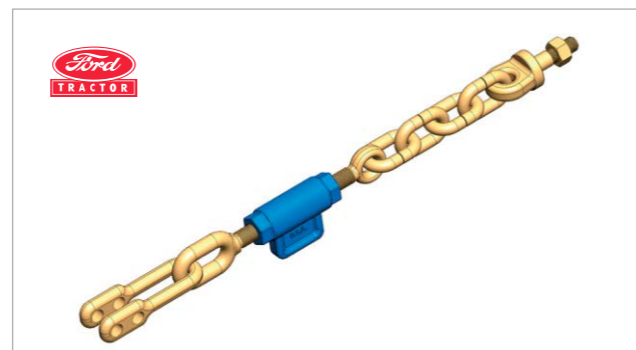


ESA NO	OEM NO	MODEL
SC1801-1	1974344C1	M24 X 3

ÜRÜN KATALOĞU
TRACTOR
SPARE PARTS



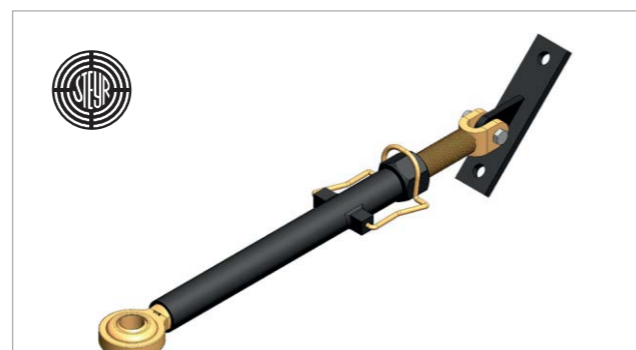
ESA NO	OEM NO	MODEL
SC0301	CFPND936B	5000



ESA NO	OEM NO	MODEL
SC0302	CFPND936B	6600



ESA NO	OEM NO	MODEL
SC0401	-	8073



ESA NO	OEM NO	MODEL
SC0403	-	8073



ESA NO	OEM NO	MODEL
SC0501	-	71/70

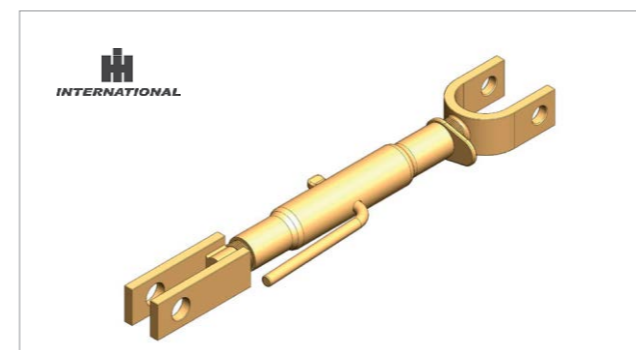
ÜRÜN KATALOĞU
TRACTOR
SPARE PARTS



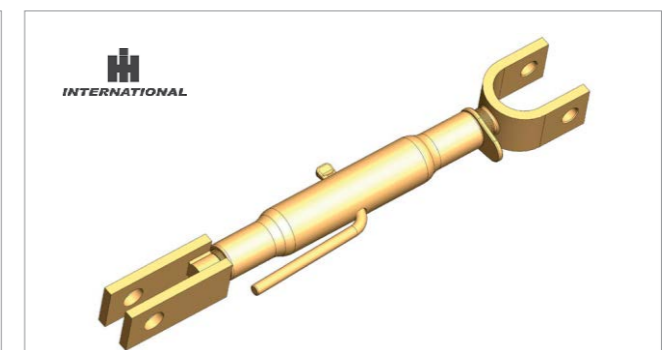
ESA NO	OEM NO	MODEL
SC0902	40.61.020	445



ESA NO	OEM NO	MODEL
SC0901	38.61.024	650



ESA NO	OEM NO	MODEL
SC1001	-	444

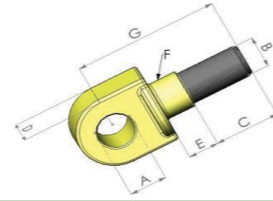


ESA NO	OEM NO	MODEL
SC1002	-	654

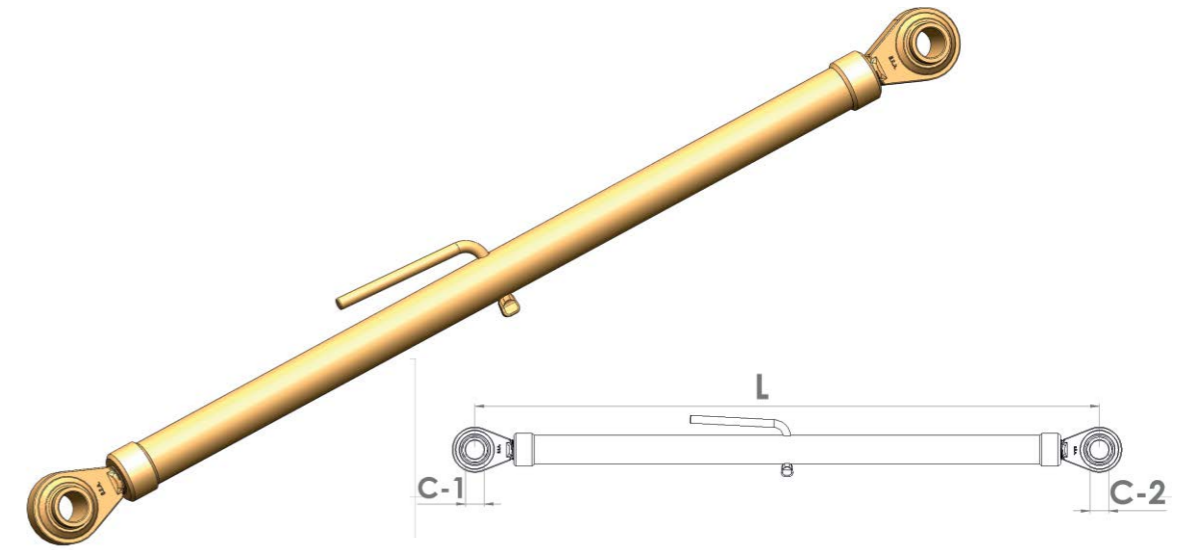
Kubota



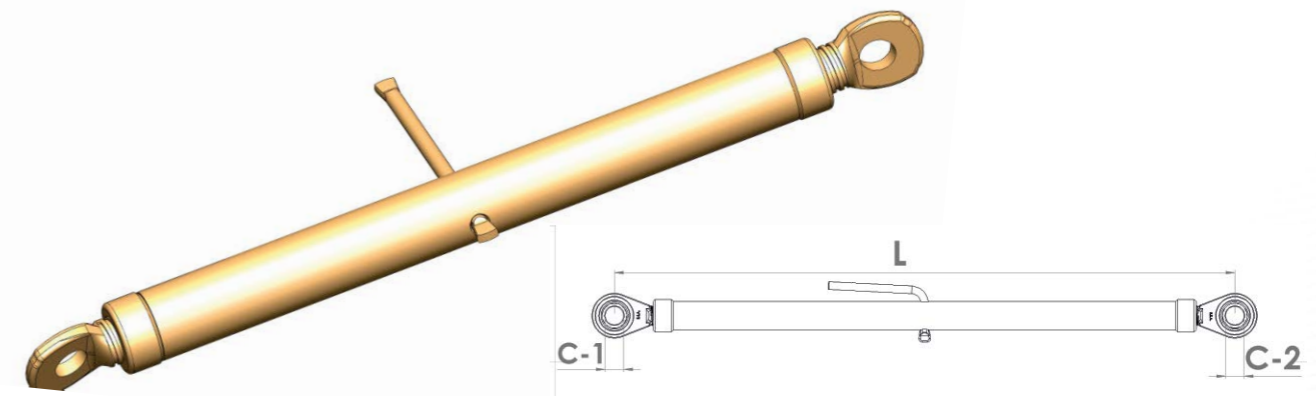
ESA NO	OEM NO	MODEL	L	E
SC3050	-	KUBOTA	430 - 570	M14X1,5
SC3051	-	KUBOTA	430 - 570	M16X1,5
SC3052	-	KUBOTA	540 - 570	M14X1,5



ESA NO	PHOTO	A	B	C	O	E	F	G
EXP9222		18	M 22 x 1,5	41	25	24	22	98
EXP9223		18	M 24 x 2	26	23	34	25	92
EXP9224		18	M 24 x 2	42	23	25	24	97
EXP9225		19	M 27 x 2	54	23	29	28	120
EXP9226		19	M 27 x 2	54	31	29	28	120
EXP9227		19	3/4"	36	27	12	19	75
EXP9228		20	M 20 x 1,5	36	26	20	21	96
EXP9229		20	M 24 x 2	41	25	24	23	98
EXP9230		20	M 24 x 2	43	26	16	28	100
EXP9231		20	M 24 x 2	26	23	34	25	92
EXP9232		20	M 24 x 3	55	24	16	23,8	92
EXP9233		21	M 24 x 2	42	26	21	28	104
EXP9234		22	M 27 x 2	54	23	29	28	120
EXP9235		25	M 24 x 2	44	30	28	35	117
EXP9236		25	M 24 x 2	44	30	28	20	103
EXP9237		25	M 24 x 2	26	23	34	25	92
EXP9238		25	M 27 x 2	43	29,5	22	28	100
EXP9239		25	M 27 x 2	54	31	29	28	120
EXP9240		30	M 27 x 3	40	28,5	52	28	127



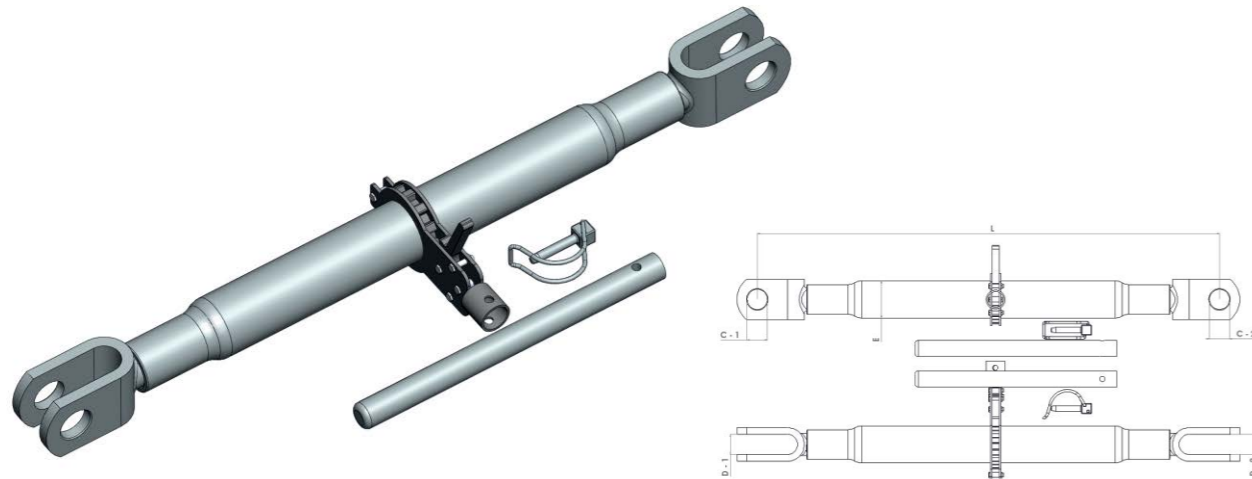
ESA NO	OEM NO	L	C-1	C-2	TUBE	METRIC
SC3001	-	50 CM	25,5	25,5	42X4	M30 X 3,5
SC3002	-	55 CM	25,5	25,5	42X4	M30 X 3,5
SC3003	-	60 CM	25,5	25,5	42X4	M30 X 3,5
SC3004	-	65 CM	25,5	25,5	42X4	M30 X 3,5
SC3005	-	70 CM	25,5	25,5	42X4	M30 X 3,5
SC3006	-	75 CM	25,5	25,5	42X4	M30 X 3,5
SC3007	-	80 CM	25,5	25,5	42X4	M30 X 3,5
SC3008	-	85 CM	25,5	25,5	42X4	M30 X 3,5



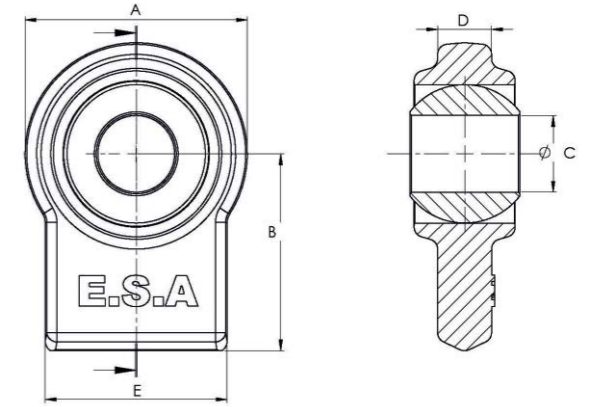
ESA NO	OEM NO	L	C-1	C-2	TUBE	METRIC
SC3009	-	50 CM	25,5	25,5	42X4	M30 X 3,5
SC3010	-	55 CM	25,5	25,5	42X4	M30 X 3,5
SC3011	-	60 CM	25,5	25,5	42X4	M30 X 3,5
SC3012	-	65 CM	25,5	25,5	42X4	M30 X 3,5
SC3013	-	70 CM	25,5	25,5	42X4	M30 X 3,5
SC3014	-	75 CM	25,5	25,5	42X4	M30 X 3,5
SC3015	-	80 CM	25,5	25,5	42X4	M30 X 3,5
SC3016	-	85 CM	25,5	25,5	42X4	M30 X 3,5



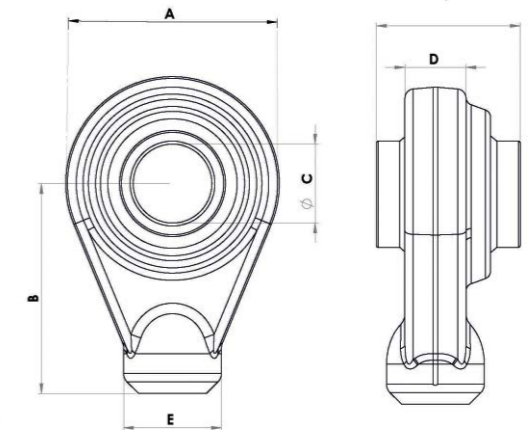
ESA NO	HOLE	ESA NO	HOLE
SC3017	38	SC3020	51
SC3018	42	SC3021	55
SC3019	48		



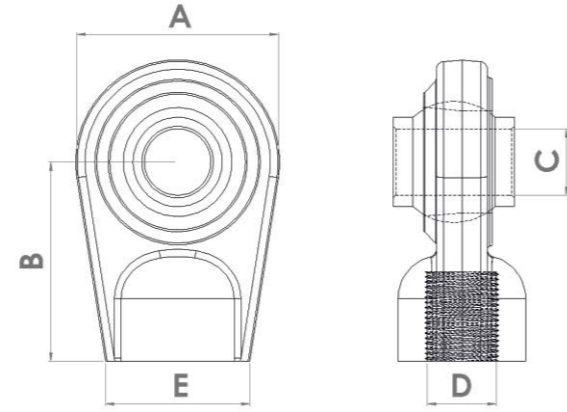
ESA NO	L	E	C-1	C-2	D-1	D-2	METRIC
SC4001	500	55 X 5,5	24	24	30	30	M34X3,5
SC4002	550	55 X 5,5	24	24	30	30	M34X3,5
SC4003	600	55 X 5,5	24	24	30	30	M34X3,5
SC4004	650	55 X 5,5	24	24	30	30	M34X3,5
SC4005	500	48 X 4	24	24	30	30	M30X3,5
SC4006	550	48 X 4	24	24	30	30	M30X3,5
SC4007	600	48 X 4	24	24	30	30	M30X3,5
SC4008	650	48 X 4	24	24	30	30	M30X3,5
SC4009	500	42 X 4	22	22	30	30	M30X3,5
SC4010	550	42 X 4	22	22	30	30	M30X3,5
SC4011	600	42 X 4	22	22	30	30	M30X3,5
SC4012	650	42 X 4	22	22	30	30	M30X3,5



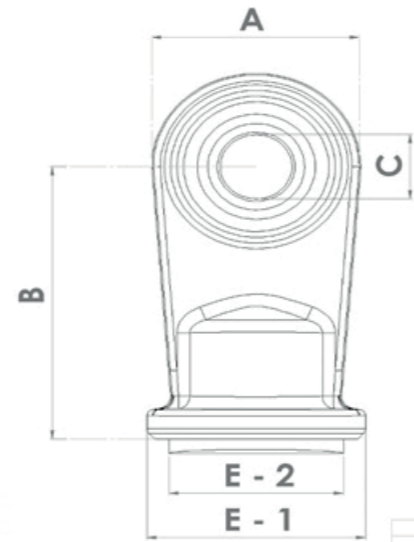
ESA NO	OEM	A	B	E	D	C	METRIC
OSP0101		65	60	54	16	23	MF 135
OSP0102		76	67	60	17,5	29	MF 165-285
OSP0102-1		85	75	70	26	29	MF
OSP0201		80	60	83	23	29	FIAT - 55/46
OSP0205		90	71	93	24	29	FIAT - 80/66



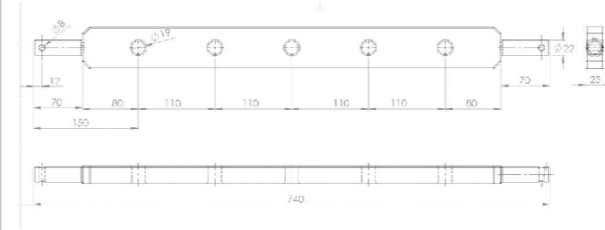
ESA NO	OEM	A	B	E	D	C
FS0111		60	60	28	17	19,5
FS0112		70	68	32	20	25,4
FS0140		108	85	60	28	40



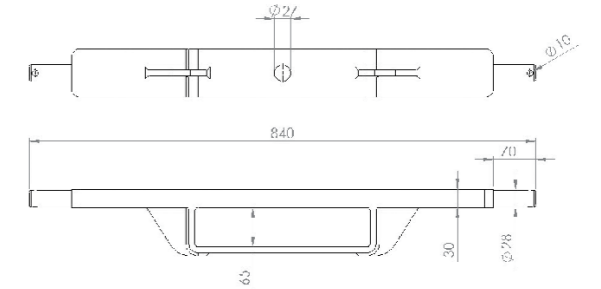
ESA NO	A	B	E	C	D
FS0137	80	78	50	25,5	M30X3,5
FS0114	80	98	50	25,5	M30X3,5
FS0138	60	90	50	19,5	M30X3,5



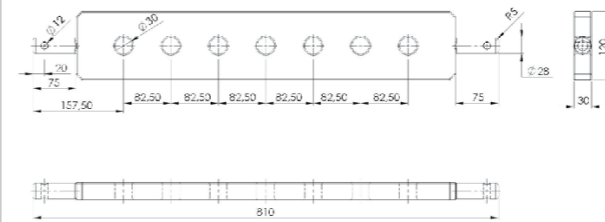
ESA NO	OEM	A	B	E-1	E-2	C
FS0136		75	110	70	60	25,5
FS0136-1		75	110	73	63	25,5
FS0136-2		75	110	80	70	25,5



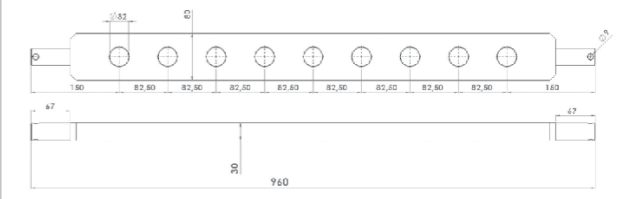
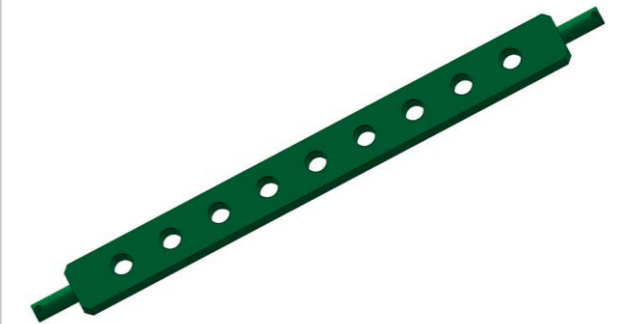
ESA NO	OEM NO	MODEL
OSP0203	-	MF-FIAT



ESA NO	OEM NO	MODEL
OSP0108	-	MF-FIAT



ESA NO	OEM NO	MODEL
OSP0903	-	UTB 650



ESA NO	OEM NO	MODEL
OSP0602	-	DEUTZ

ÜRÜN KATALOĞU
TRACTOR
SPARE PARTS



ESA NO	OEM NO	MODEL
OSP0106	1660262M93	MF 285



ESA NO	OEM NO	MODEL
OSP0107	1660263M93	MF 285



ESA NO	OEM NO	MODEL
OSP0202	—	480-445



ESA NO	OEM NO	MODEL
OSP0204		640-70/56



ESA NO	OEM NO	MODEL
OSP0904	38.61.026	UTB 650



ESA NO	OEM NO	MODEL
OSP0901	38.61.025	UTB 650



ESA NO	OEM NO	MODEL
OSP0301	82002013	5000-6600



ESA NO	OEM NO	MODEL
OSP0206	NEW HOLLAND	TS90

ÜRÜN KATALOĞU
TRACTOR
SPARE PARTS



ESA NO	OEM NO
SSC1111	12
SSC1110	14
SSC1112	16



ESA NO	OEM NO
EXP9054	11
EXP9055	12
EXP9056	14
EXP9057	16
EXP9058	19

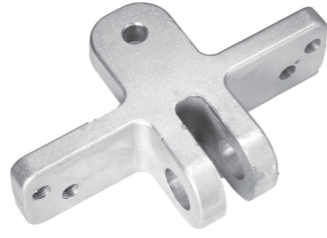


ESA NO	OEM NO
EXP9060	6
EXP9059	8
EXP9061	10



ESA NO	OEM NO
EXP9063	2
EXP9065	3
EXP9066	4
EXP9067	5
EXP9068	6
EXP9062	8
EXP9070	10

ÜRÜN KATALOĞU
TRACTOR
SPARE PARTS



ESA NO
EXP5001

PRODUCT NAME
TRACTION BAR



ESA NO
EXP5002

PRODUCT NAME
TRACTION BAR



ESA NO
EXP5003

PRODUCT NAME
TRACTION BAR



ESA NO
EXP9045

OEM NO
1680040

PRODUCT NAME
SIDE ARM



ESA NO
EXP5001

PRODUCT NAME
U650 - COVAN R-L

ÜRÜN KATALOĞU
TRACTOR
SPARE PARTS



ESA NO

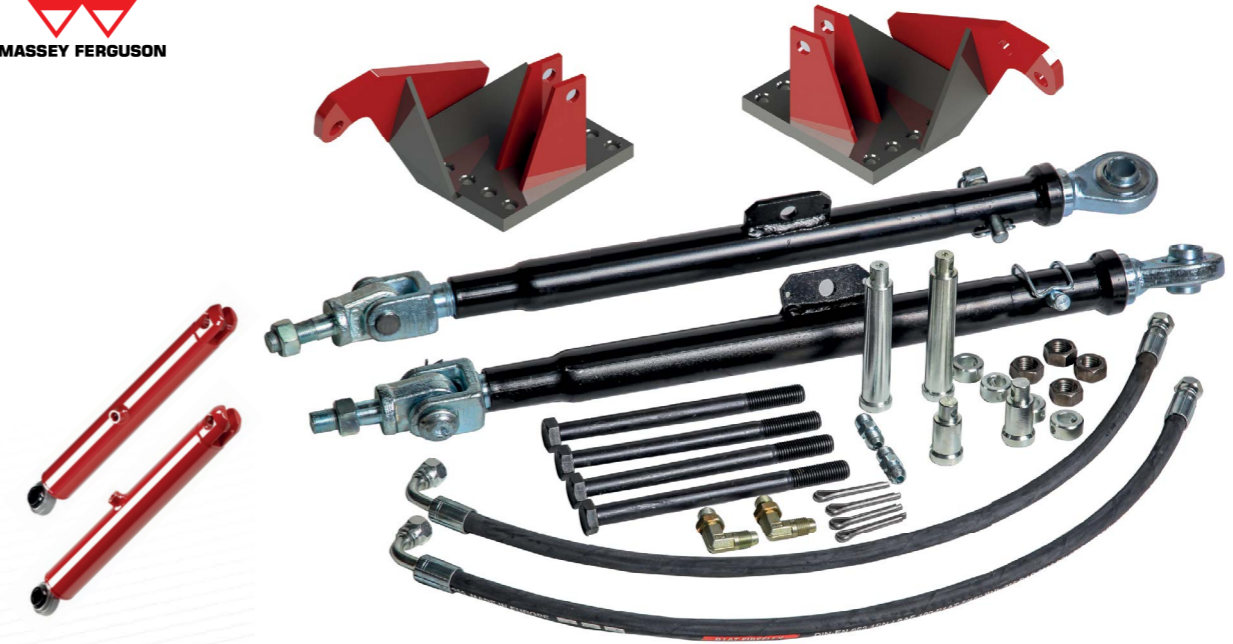
EXP1400FHR

ÜRÜN CİNSİ

TÜMOSAN DESTEK KİT TAKIMI

UYUMLU MODELLER

7000-8000



ESA NO

EXP1401FHR

ÜRÜN CİNSİ

MF DESTEK KİT TAKIMI

UYUMLU MODELLER

265-285-266G-277G-288G-286G-398-3075-3085-3095-3105



ESA NO	ÜRÜN CİNSİ	UYUMLU MODELLER
EXP1402FHR	JOHNDEERE DESTEK KİT TAKIMI	5050-5060-5065-5075E-5625-2725-5083E-5093E



ESA NO	ÜRÜN CİNSİ	UYUMLU MODELLER
EXP1403FHR	FORD DESTEK KİT TAKIMI	5000-5600-6600-6610-6640-7000-7610-7740

PİMLER

ÜRÜN KATALOĞU
TRACTOR
SPARE PARTS

PİMLER - PINS

19 mm Ortakol Pimi
19 mm Top link Pin

Kodu Code	RFS 01-01
OEM No:	831513
Çap Diameter	19mm
Boy Lenght	125mm

22 mm Ortakol Pimi
22 mm Top link Pin

Kodu Code	RFS 01-02
OEM No:	
Çap Diameter	22mm
Boy Lenght	125mm

25 mm Ortakol Pimi
25 mm Top link Pin

Kodu Code	RFS 01-03
OEM No:	892476
Çap Diameter	25mm
Boy Lenght	125mm

28 mm Ortakol Pimi
28 mm Top link Pin

Kodu Code	RFS 01-04
OEM No:	
Çap Diameter	28mm
Boy Lenght	125mm

19 mm 15 cm Ortakol Pimi
19 mm 15 cm Top link Pin

Kodu Code	RFS 01-09
OEM No:	
Çap Diameter	19mm
Boy Lenght	150mm

22 mm 15cm Ortakol Pimi
22 mm 15cm Top link Pin

Kodu Code	RFS 01-10
OEM No:	
Çap Diameter	22mm
Boy Lenght	150mm

25 mm 15cm Ortakol Pimi
25 mm 15cm Top link Pin

Kodu Code	RFS 01-11
OEM No:	
Çap Diameter	25mm
Boy Lenght	150mm

19 mm Kırmaz Pim
19 mm 25cm Pin

Kodu Code	RFS 01-12
OEM No:	
Çap Diameter	19mm
Boy Lenght	250mm

19 mm 17 cm Ortakol Pimi
19 mm 17 cm Top link Pin

Kodu Code	RFS 01-13
OEM No:	
Çap Diameter	19mm
Boy Lenght	170mm

22 mm 17cm Ortakol Pimi
19 mm 17 cm Top link Pin

Kodu Code	RFS 01-14
OEM No:	
Çap Diameter	22mm
Boy Lenght	170mm

22 mm 19 cm Ortakol Pimi
22 mm 19 cm Top link Pin

Kodu Code	RFS 01-15
OEM No:	
Çap Diameter	22mm
Boy Lenght	190mm

22 mm 22cm Ortakol Pimi
22 mm 22 cm Top link Pin

Kodu Code	RFS 01-16
OEM No:	
Çap Diameter	22mm
Boy Lenght	220mm

ÜRÜN KATALOĞU
TRACTOR
SPARE PARTS

PİMLER - PINS

19mm Ortakol Pimi Zincirli
19mm Top link Pin With Chain

Kodu Code	RFS 01-05
OEM No:	195589
Çap Diameter	19mm
Boy Lenght	125mm

22mm Ortakol Pimi Zincirli
22mm Top link Pin With Chain

Kodu Code	RFS 01-06
OEM No:	
Çap Diameter	22mm
Boy Lenght	125mm

25mm Ortakol Pimi Zincirli
25mm Top link Pin With Chain

Kodu Code	RFS 01-07
OEM No:	892476
Çap Diameter	25mm
Boy Lenght	125mm

28mm Ortakol Pimi Zincirli
28mm Top link Pin With Chain

Kodu Code	RFS 01-08
OEM No:	
Çap Diameter	28mm
Boy Lenght	125mm

19mm 15cm Ortakol Pimi Zincirli
19mm 15cm Top link Pin With Chain

Kodu Code	RFS 01-17
OEM No:	
Çap Diameter	19mm
Boy Lenght	150mm

22mm 15cm Ortakol Pimi Zincirli
22mm 15cm Top link Pin With Chain

Kodu Code	RFS 01-18
OEM No:	
Çap Diameter	22mm
Boy Lenght	150mm

25mm 15cm Ortakol Pimi Zincirli
25mm 15cm Top link Pin With Chain

Kodu Code	RFS 01-19
OEM No:	
Çap Diameter	25mm
Boy Lenght	150mm

28mm 15cm Ortakol Pimi
28mm 15cm Top link Pin

Kodu Code	RFS 01-20
OEM No:	
Çap Diameter	28mm
Boy Lenght	150mm

Römork Çeki Pimleri

RFS

"en iyi çözümler - best solutions"

Trailers Pins

25mm Römork Çeki Pimi
25mm Trailer Pin

Kodu Code	RFS 02-01
OEM No:	
Çap Diameter	25mm
Boy Lenght	180mm

28mm Römork Çeki Pimi
28mm Trailer Pin

Kodu Code	RFS 02-02
OEM No:	
Çap Diameter	28mm
Boy Lenght	180mm

30mm Römork Çeki Pimi
30mm Trailer Pin

Kodu Code	RFS 02-03
OEM No:	
Çap Diameter	30mm
Boy Lenght	180mm

32mm Römork Çeki Pimi
32mm Trailer Pin

Kodu Code	RFS 02-04
OEM No:	
Çap Diameter	32mm
Boy Lenght	180mm

ÜRÜN KATALOĞU

TRACTOR

SPARE PARTS

PİMLER - PINS

ÜRÜN KATALOĞU

TRACTOR

SPARE PARTS

PİMLER - PINS

34mm Römork Çeki Pimi
34mm Trailer Pin



Kodu / Code	RFS 02-05
Çap / Diameter	34 mm
Boy / Length	180 mm

36mm Römork Çeki Pimi
36mm Trailer Pin



Kodu / Code	RFS 02-06
Çap / Diameter	36 mm
Boy / Length	180 mm

25mm Römork Çeki Pimi Uzun
25mm Trailer Pin Long



Kodu / Code	RFS 02-07
Çap / Diameter	25 mm
Boy / Length	250 mm

28mm Römork Çeki Pimi Uzun
28mm Trailer Pin Long



Kodu / Code	RFS 02-08
Çap / Diameter	28 mm
Boy / Length	250 mm

30mm Römork Çeki Pimi Uzun
30mm Trailer Pin Long



Kodu / Code	RFS 02-09
Çap / Diameter	30 mm
Boy / Length	250 mm

32mm Römork Çeki Pimi Uzun
32mm Trailer Pin Long



Kodu / Code	RFS 02-10
Çap / Diameter	32 mm
Boy / Length	250 mm

22mm Zincirli Römork Çeki Pimi
22mm With Chain Trailer Pin



Kodu / Code	RFS 02-11
Çap / Diameter	22 mm
Boy / Length	180 mm

25mm Zincirli Römork Çeki Pimi
25mm With Chain Trailer Pin



Kodu / Code	RFS 02-12
Çap / Diameter	25 mm
Boy / Length	180 mm

28mm Zincirli Römork Çeki Pimi
28mm With Chain Trailer Pin



Kodu / Code	RFS 02-13
Çap / Diameter	28 mm
Boy / Length	180 mm

30mm Zincirli Römork Çeki Pimi
30mm With Chain Trailer Pin



Kodu / Code	RFS 02-14
Çap / Diameter	30 mm
Boy / Length	180 mm

32mm Zincirli Römork Çeki Pimi
32mm With Chain Trailer Pin



Kodu / Code	RFS 02-15
Çap / Diameter	32 mm
Boy / Length	180 mm

22mm Römork Çeki Pimi
22mm Trailer Pin



Kodu / Code	RFS 02-19
Çap / Diameter	22 mm
Boy / Length	170 mm

Ara Zincir
Drawbar Pin With Chain



A	B	C	D	E	F
mm	mm	mm	mm	mm	mm
940	22	100	10	37	60
940	25	100	10	37	60
940	28	100	10	37	60

22mm Ara Zinciri
22mm Drawbar With Chain



Kodu / Code	RFS 08-01
Çap / Diameter	22 mm
Boy / Length	940 mm

25mm Ara Zinciri
25mm Drawbar With Chain



Kodu / Code	RFS 08-02
Çap / Diameter	25 mm
Boy / Length	940 mm

28mm Ara Zinciri
28mm Drawbar With Chain



Kodu / Code	RFS 08-03
Çap / Diameter	28 mm
Boy / Length	940 mm

22cm Kulaklı Alt Tabaka Pimi
22cm Drawbar Pin



Kodu Code	RFS 03-01
OEM No:	883876M91
Çap Diameter	19mm
Boy Length	220mm

26cm Kulaklı Alt Tabaka Pimi
26cm Drawbar Pin



Kodu Code	RFS 03-02
OEM No:	886162M91
Çap Diameter	19mm
Boy Length	263mm

32cm Kulaklı Alt Tabaka Pimi
32cm Drawbar Pin



Kodu Code	RFS 03-03
OEM No:	886163M91
Çap Diameter	19mm
Boy Length	316mm

36cm Kulaklı Alt Tabaka Pimi
36cm Drawbar Pin



Kodu Code	RFS 03-04
OEM No:	883877M91
Çap Diameter	19mm
Boy Length	360mm

Lamalı Ortakol (Semer) Pimi
Top Link Pin "Z" Type



Kodu Code	RFS 03-05
OEM No:	579879
Çap Diameter	19mm
Boy Length	100mm

Hidrolik Yan Gövde Pernoları

RFS

"en iyi çözümler - best solutions"

Hydrolic Lower Link Pins

640 E.M. Gövde Pernosu
640 Old M.Lower Link



Kodu Code	RFS 04-01
OEM No:	4954461
Çap Diameter	28-22mm
Boy Length	135-65mm

480 E.M. Gövde Pernosu
480 Old M.Lower Link



Kodu Code	RFS 04-02
OEM No:	4954462
Çap Diameter	28-22mm
Boy Length	115-65mm

80*66 Gövde Pernosu
80*66 Lower Link



Kodu Code	RFS 04-03
OEM No:	5085028
Çap Diameter	28mm
Boy Length	200mm

640 S.M. Gövde Pernosu
640 Latest M.Lowers Link



Kodu Code	RFS 04-04
OEM No:	5085027
Çap Diameter	28-22mm
Boy Length	135-65mm

480 S.M. Gövde Pernosu
480 Latest M.Lowers Link



Kodu Code	RFS 04-05
OEM No:	5085028
Çap Diameter	28-22mm
Boy Length	115-65mm

640 Y.M. Gövde Pernosu
640 New M Lower Link



Kodu Code	RFS 04-06
OEM No:	4954461
Çap Diameter	22mm
Boy Length	200mm

480 Y.M. Gövde Pernosu
480 New M Lower Link



Kodu Code	RFS 04-07
OEM No:	4954462
Çap Diameter	22mm
Boy Length	180mm

80*66 Ön Ağırlık Pernosu
80*66 Pivot Pin



Kodu Code	RFS 04-08
OEM No:	4993374
Çap Diameter	28mm
Boy Length	250mm

MF 285 Alt Koşu Pimi
Drawbar Pin Long



Kodu Code	RFS 04-09
OEM No:	886224M1
Çap Diameter	25mm
Boy Length	435mm

12*25 Tırmık Pimi
12*25 Hay Rake Pins



Kodu Code	RFS 07-01
Çap Diameter	12mm
Boy Lenght	45mm

16*70 Tırmık Pimi
16*70 Hay Rake Pins



Kodu Code	RFS 07-02
Çap Diameter	16mm
Boy Lenght	70mm

16*90 Tırmık Pimi
16*90 Hay Rake Pins



Kodu Code	RFS 07-03
Çap Diameter	16mm
Boy Lenght	90mm

19*110 Tırmık Pimi
19*110 Hay Rake Pins



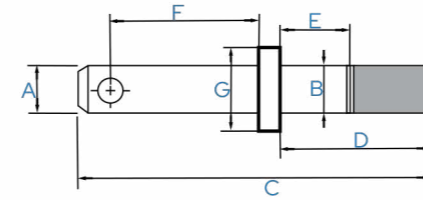
Kodu Code	RFS 07-04
Çap Diameter	19mm
Boy Lenght	110mm

Tiller Pimleri

RFS

"en iyi çözümler - best solutions"

Mounting Pins



9; <+;/; =	%	'	/	\$	&	()*+,-,%	!"#	!"#
.&>?13@18	76	76	831	01	21	03	41	5+6	2+4
.&>?13@17	73	76	831	01	21	03	41	5+6	2+4
.&>?13@12	77	76	831	01	21	03	41	5+6	2+4
.&>?13@14	73	77	831	01	21	03	41	5+6	2+4
.&>?13@13	73	73	831	01	21	03	41	5+6	2+4
.&>?13@10	77	77	831	01	21	03	41	5+6	2+4



28*28 Kaz Ayağı Tiller Pimi
28*28 Mounting Pin



Kodu Code	RFS 05-07
OEM No:	

25*28 Kaz Ayağı Tiller Pimi
25*28 Mounting Pin



Kodu Code	RFS 05-08
OEM No:	

Mini Tiller Pimi Küçük Tip
Mounting Pin Little Type



Kodu Code	RFS 05-09
OEM No:	646101M1

Mini Tiller Pimi Büyük Tip
Mounting Pin Big Type



Kodu Code	RFS 05-10
OEM No:	893420M1

Mf İnce Askı Kol Pimi
Levelling Box Pin (fine)



Kodu Code	RFS 06-01
OEM No:	893567M1
Çap Diameter	16mm
Boy Lenght	90mm

Mf Orta Askı Kol Pimi
Levelling Box Pin



Kodu Code	RFS 06-02
OEM No:	376399X1
Çap Diameter	19mm
Boy Lenght	90mm

Mf Kalın Askı Kol Pimi
Levelling Box Pin (thick)



Kodu Code	RFS 06-03
OEM No:	893568M1
Çap Diameter	22mm
Boy Lenght	90mm

Fiat İnce Askı Kol Pimi
Levelling Box Pin (fine)



Kodu Code	RFS 06-04
OEM No:	568721
Çap Diameter	18mm
Boy Lenght	65mm

Fiat Kalın Askı Kol Pimi
Levelling Box Pin (thick)



Kodu Code	RFS 06-05
OEM No:	574882
Çap Diameter	25mm
Boy Lenght	65mm

ÜST ÇEKİ PİMİ L TIP MODEL 80.66



Kodu Code	RFS 02-21
OEM No:	5117437
Çap Diameter	22mm
Boy Lenght	325mm

ÜST ÇEKİ PİMİ L TIP MODEL: TD 80-85-90-95



Kodu Code	RFS 02-22
OEM No:	5164847
Çap Diameter	22mm
Boy Lenght	332mm

ÜST ÇEKİ PİMİ L TIP MODEL: 110.90



Kodu Code	RFS 02-23
OEM No:	4996915
Çap Diameter	25mm
Boy Lenght	mm

AYSAN PİMİ KALIN



Kodu Code	RFS 05-11
OEM No:	
Çap Diameter	22*28*22mm
Boy Lenght	40*85*90mm

AYSAN PİMİ İNCE



Kodu Code	RFS 05-12
OEM No:	
Çap Diameter	22*25*22mm
Boy Lenght	40*85*90mm

Özel Üretimler

RFS

"en iyi çözümler - best solutions"

Special Productions



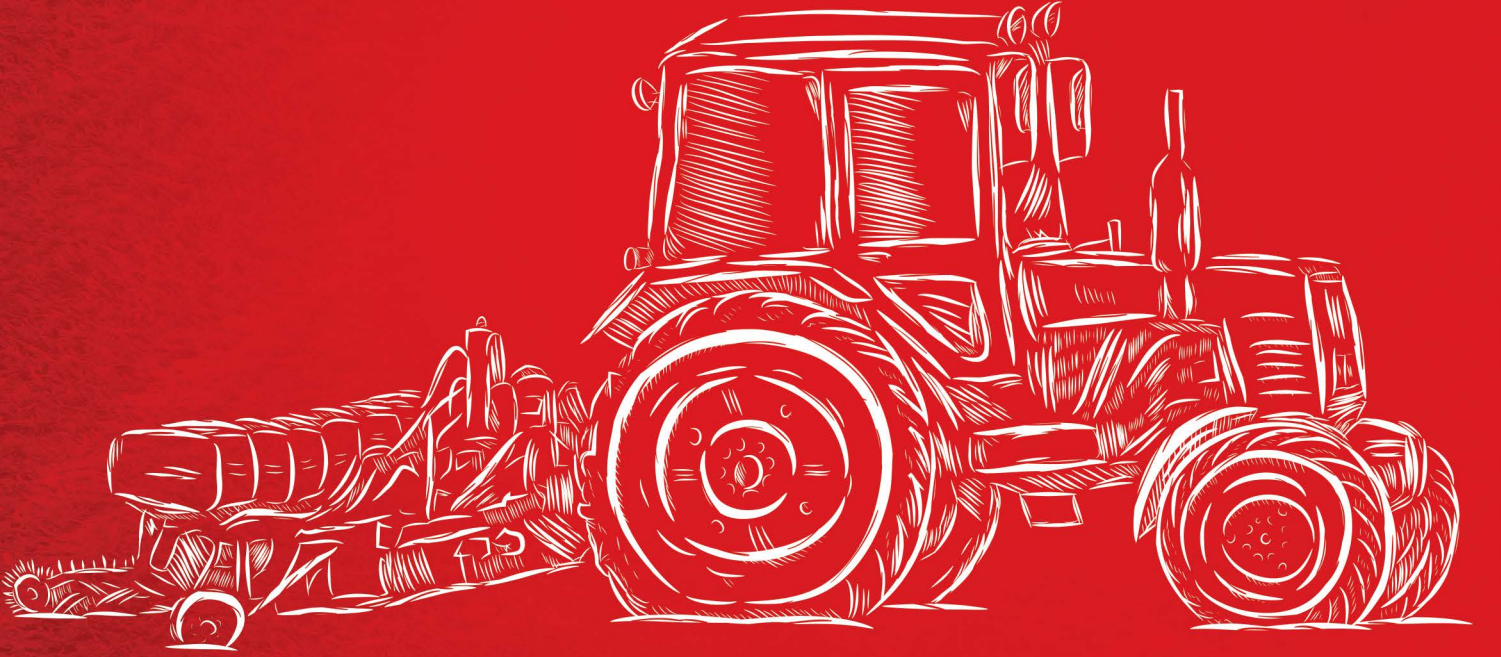
Çap 12mm ile 36mm arasında Boy 40mm ile 300mm arasında özel ürünler imal edilmektedir.



esaeren®

OTOMOTİV GİD. SAN. TİC. LTD. ŞTİ.

— TRAKTÖR YEDEK PARÇA İMALATI —



E.S.A. EREN OTOMOTİV GIDA SAN. TİC. LTD. ŞTİ.

Horozluhan Mah. Anadolu San. Tosun Sk. No:8 Selçuklu/KONYA

Tel.: + 90 332 248 83 13

Fax: +90 332 251 29 47

www.esaerenotomotiv.com

info@esaerenotomotiv.com